

# SecTER™ cabinet



## General

Eaton's Cooper Power™ series versatile single- and three-phase SecTER™ sectionalizing terminals are designed as cable sectionalizing centers, or as permanent or temporary transformer pad covers.

The aesthetic low profile design provides unobtrusive installations for sectionalizing, tapping or terminating underground cable.

The top hinged diagonally cut removable cover and cabinet are designed for easy one man opening. Recessed door and low sill provides improved access to interior terminations. A door stop prevents the door from accidentally closing.

TGIC powder coating exceeds ANSI® coating requirements.

Standard Munsell Green 7GY3.29/1.5 twelve gauge mild steel designs with standard stainless steel hardware are available. For highly corrosive environments, stainless steel or aluminum are also available. Continuous seam welding ensures a sturdy smooth cabinet.

Multiple configurations are available. A parking lot design is available on most SecTER cabinets that provides multiple locations for parking standoffs, portable feedthrus, and other cable accessories. A welded-on ground nut is also provided for each phase.

Universal mounting plates are painted light grey for optimum visibility and accept 200 amp or 600/900 amp, two-, three-, or four-position junctions with u-straps and Eaton's Cooper Power series Cleer™ 600 A loadbreak connectors. Standard SecTER designs are available in a variety of sizes to suit typical applications and can also be ordered with junctions factory installed.

## Optional features

- 200 A loadbreak junctions installed
- 600 A deadbreak junctions installed
- Cleer 600 A loadbreak connectors installed
- Available in grey, tan, or brown colors
- Angled mounting plates
- 3/8" copper ground rod installed
- Mild steel base extensions
- Fiberglass ground sleeves

**EATON**

*Powering Business Worldwide*

### Ordering information

1. Select size of SecTER cabinet from Table 1 based on junctions required. Refer to figures referenced (shown on pages 4 through 7) to confirm SecTER cabinet configuration meets requirements.
2. Build SecTER catalog number from Table 2 based on size selected from Table 1 and options required.
3. Fiberglass ground sleeves are ordered separately. If ground sleeve is required, select catalog number from Table 3 on page 8.
4. Mild steel base extensions are ordered separately. If base extension is required, select catalog number from Table 4 on page 9.

**Note:** Width and depth dimensions of ground sleeves or base extensions must be matched to SecTER cabinet selected.

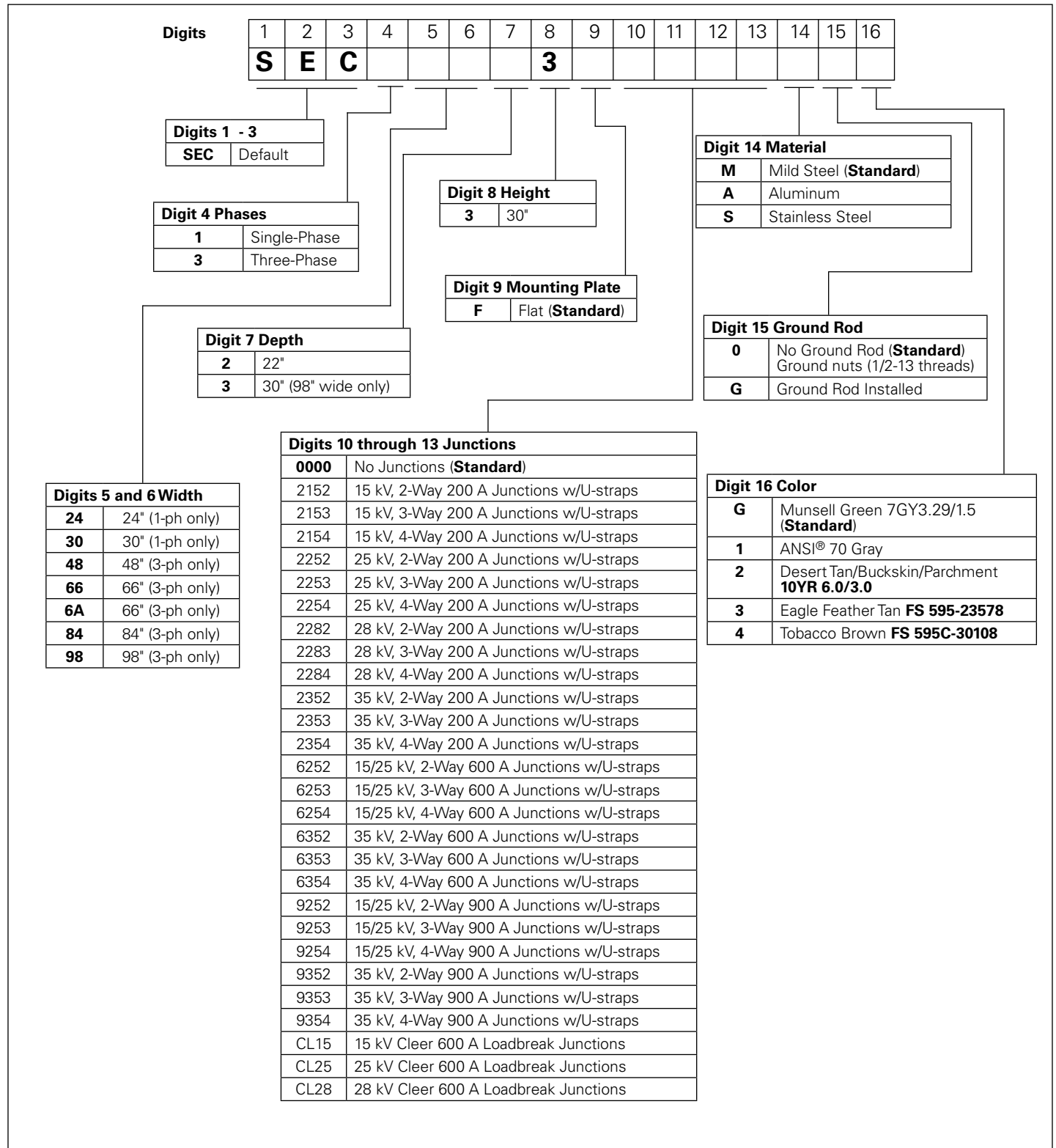
**"S" = Standard. Recommended for best balance of size (footprint) and operability (frontplate space and standoff pockets) for typical applications.**

**"O" = Optional. Also available if the application requires compromise in size and/or operability.**

**Table 1. SecTER Cabinet Matrix**

Single-Phase										Standoff Pocket Placement		
Dimensions	200 A, 15 kV			200 A, 25 & 28 kV			200 A, 35 kV			Below	In-Line with	Figure
	2-way	3-way	4-way	2-way	3-way	4-way	2-way	3-way	4-way	Mtg. Plates	Mtg. Plates	
30H X 24W X 22D	0	0	0	0	0	0				yes	no	1
30H X 30W X 22D	S	S	S	S	S	S	S	S	S	yes	yes	2
Single-Phase										Pocket Placement		
Dimensions	600 A, 15/25 kV			600 A, 35 kV			Clear Loadbreak Connector			Below	In-Line with	Figure
	2-way	3-way	4-way	2-way	3-way	4-way	15 kV	25 kV	28 kV	Mtg. Plates	Mtg. Plates	
30H X 24W X 22D	0	0	0							yes	no	1
30H X 30W X 22D	S	S	S	S	S		S	S	S	yes	yes	2
Three-Phase										Pocket Placement		
Dimensions	200 A, 15 kV			200 A, 25 & 28 kV			200 A, 35 kV			Below	In-Line with	Figure
	2-way	3-way	4-way	2-way	3-way	4-way	2-way	3-way	4-way	Mtg. Plates	Mtg. Plates	
30H X 48W X 22D	S	0		0	0					yes	no	3
30H X 66W X 22D (A)	0	S		S	S					yes	yes	4
30H X 66W X 22D	0	0	0	0	0	0	0	0		yes	no	5
30H X 84W X 22D	0	0	S	0	0	S	S	S	0	yes	yes	6
30H X 98W X 30D	0	0	0	0	0	0	0	0	S	yes	yes	7
Three-Phase										Pocket Placement		
Dimensions	600 A, 15/25 kV			600 A, 35 kV			Clear Loadbreak Connector			Below	In-Line with	Figure
	2-way	3-way	4-way	2-way	3-way	4-way	15 kV	25 kV	28 kV	Mtg. Plates	Mtg. Plates	
30H X 48W X 22D	0	0								yes	no	3
30H X 66W X 22D (A)	S	0								yes	yes	4
30H X 66W X 22D	0	0	0	0	0		S	S	S	yes	no	5
30H X 84W X 22D	0	S	S	S	S		0	0	0	yes	yes	6
30H X 98W X 30D	0	0	0	0	0	S	0	0	0	yes	yes	7

Table 2. Catalog Number Selection



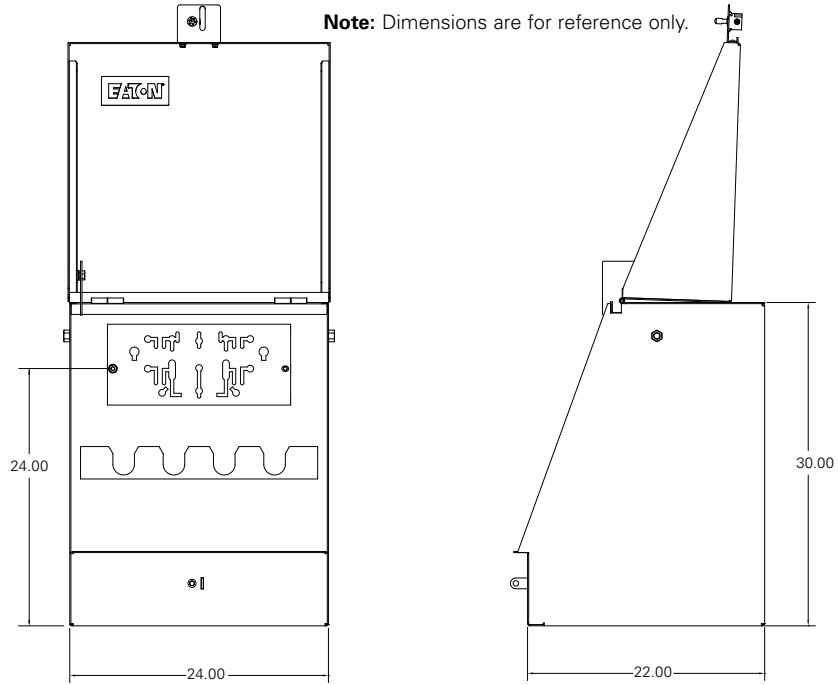


Figure 1. SEC12423F0000M0G SecTER cabinet shown.

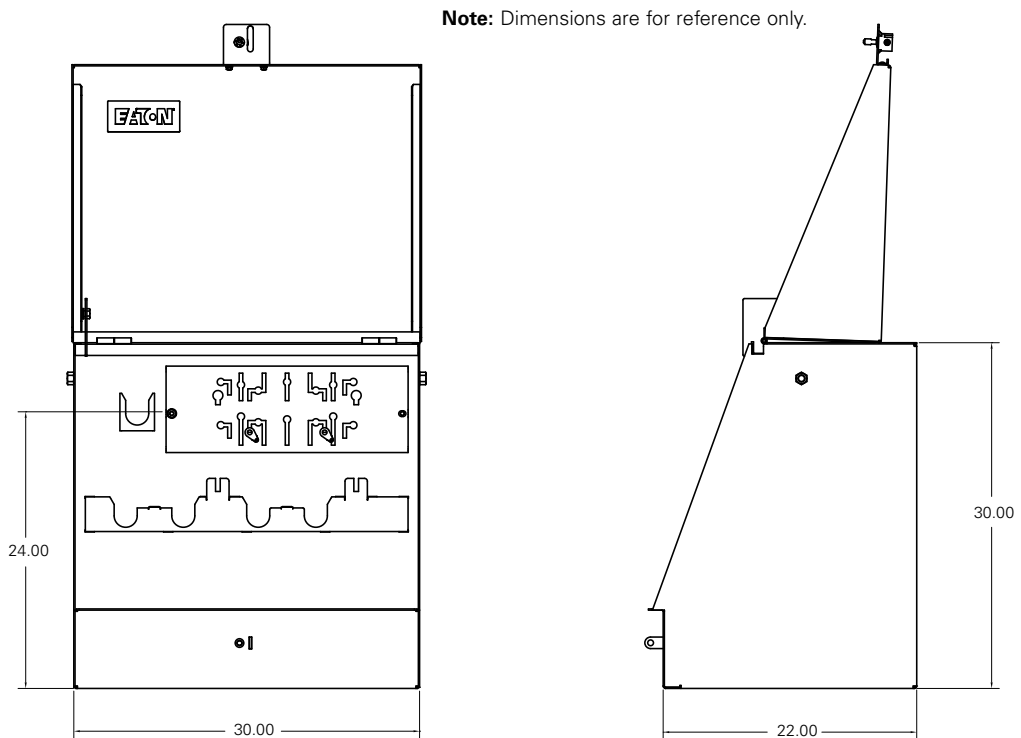
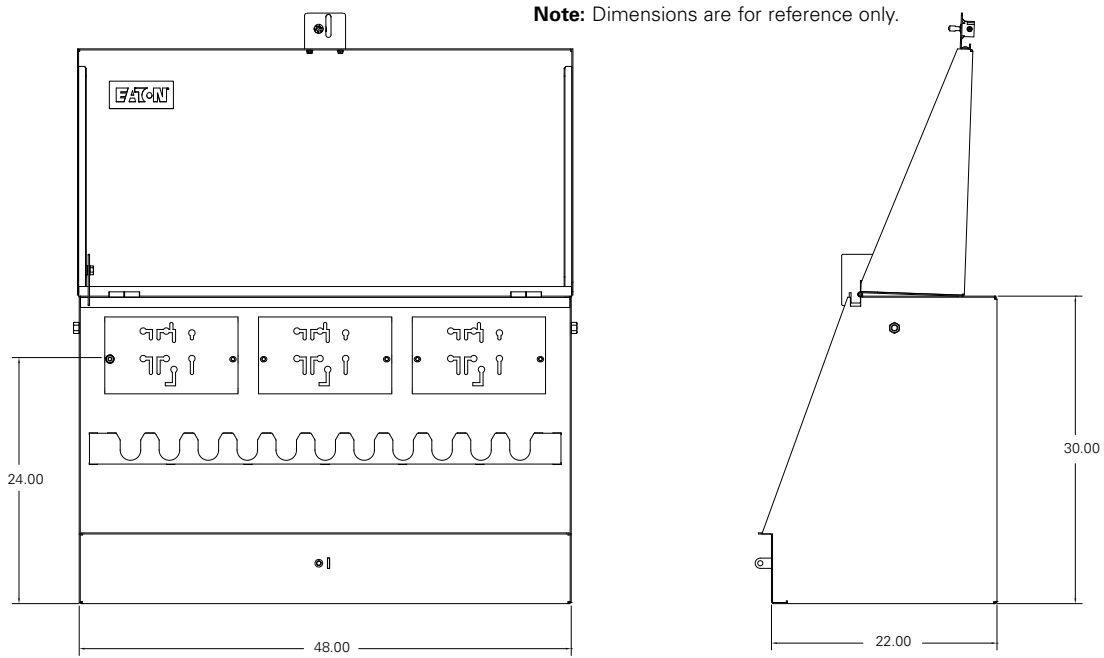
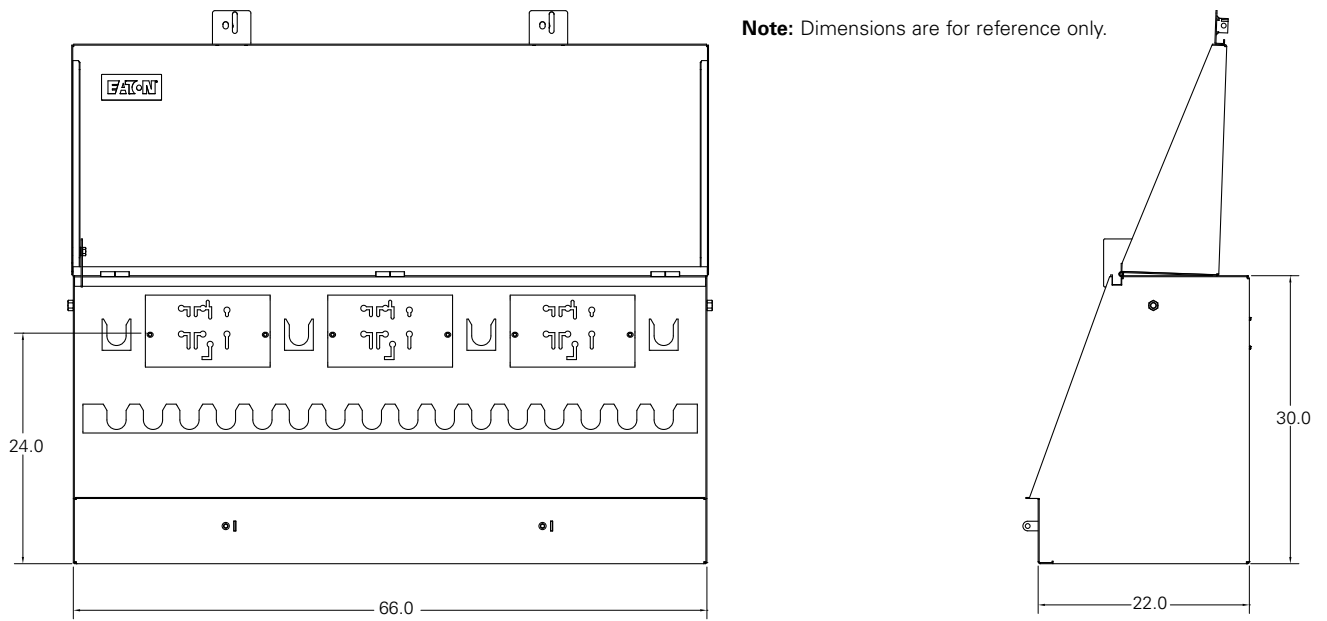


Figure 2. SEC13023F0000M0G SecTER cabinet shown.



**Figure 3. SEC34823F0000M0G SecTER cabinet shown.**



**Figure 4. SEC36A23F0000M0G SecTER cabinet shown.**

Note: Dimensions are for reference only.

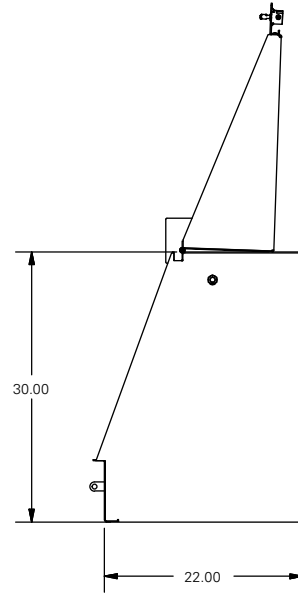
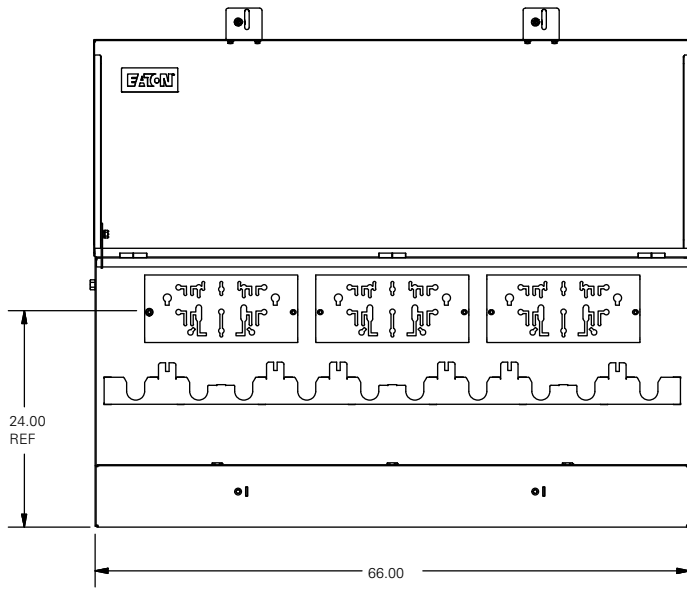


Figure 5. SEC36623F0000M0G SecTER cabinet shown.

Note: Dimensions are for reference only.

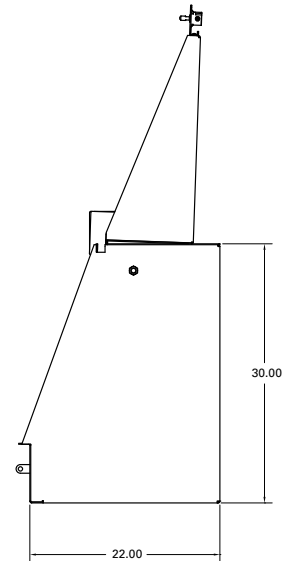
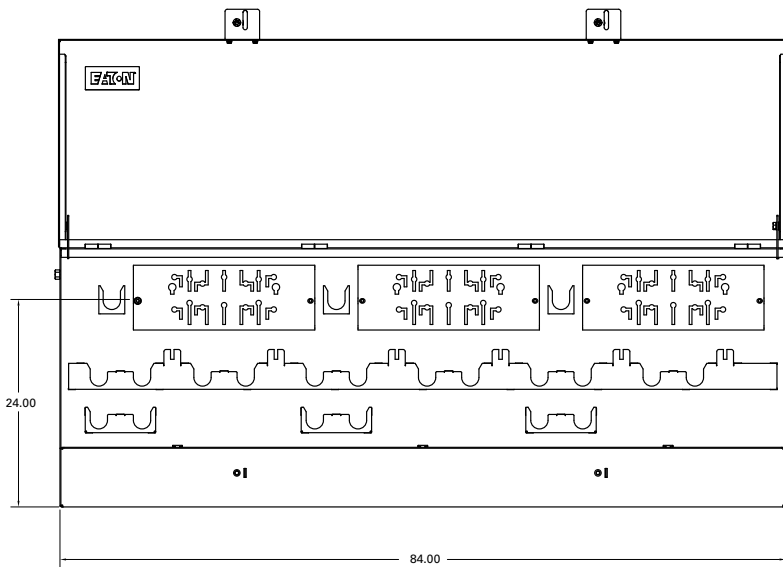
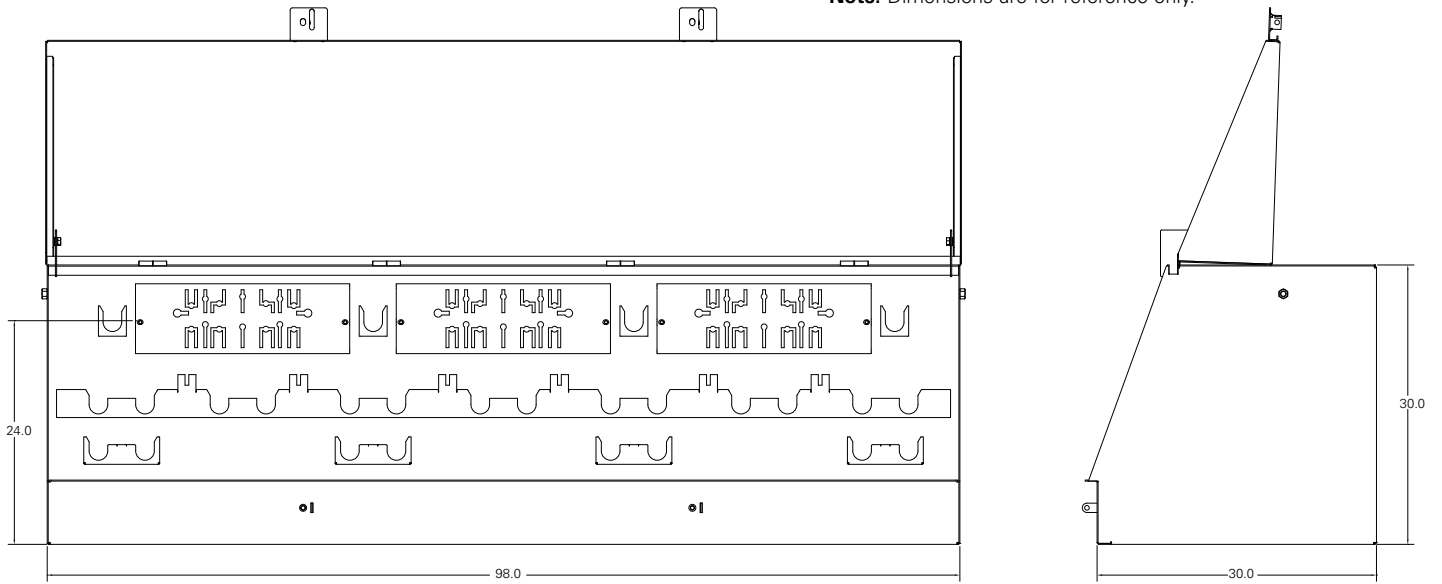


Figure 6. SEC38423F0000M0G SecTER cabinet shown.

**Note:** Dimensions are for reference only.



**Figure 7. SEC39833F0000M0G SecTER cabinet shown.**

**Fiberglass ground sleeves**

Lightweight, corrosive free ground sleeves provide ground level mounting base and underground cable compartment, allowing unrestricted movement of terminations.

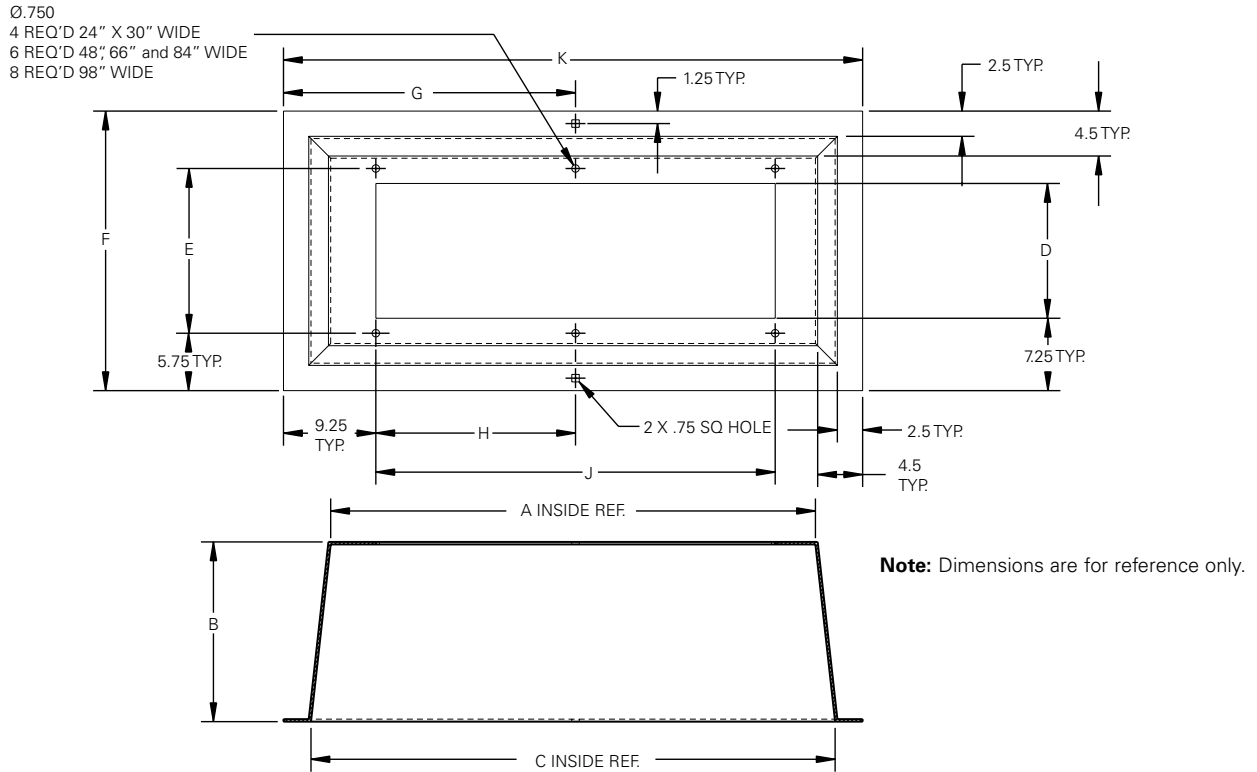


Figure 8. Ground sleeve dimensions.

Table 3. Fiberglass Ground Sleeve Dimensional Information in Inches (Reference Figure 1)

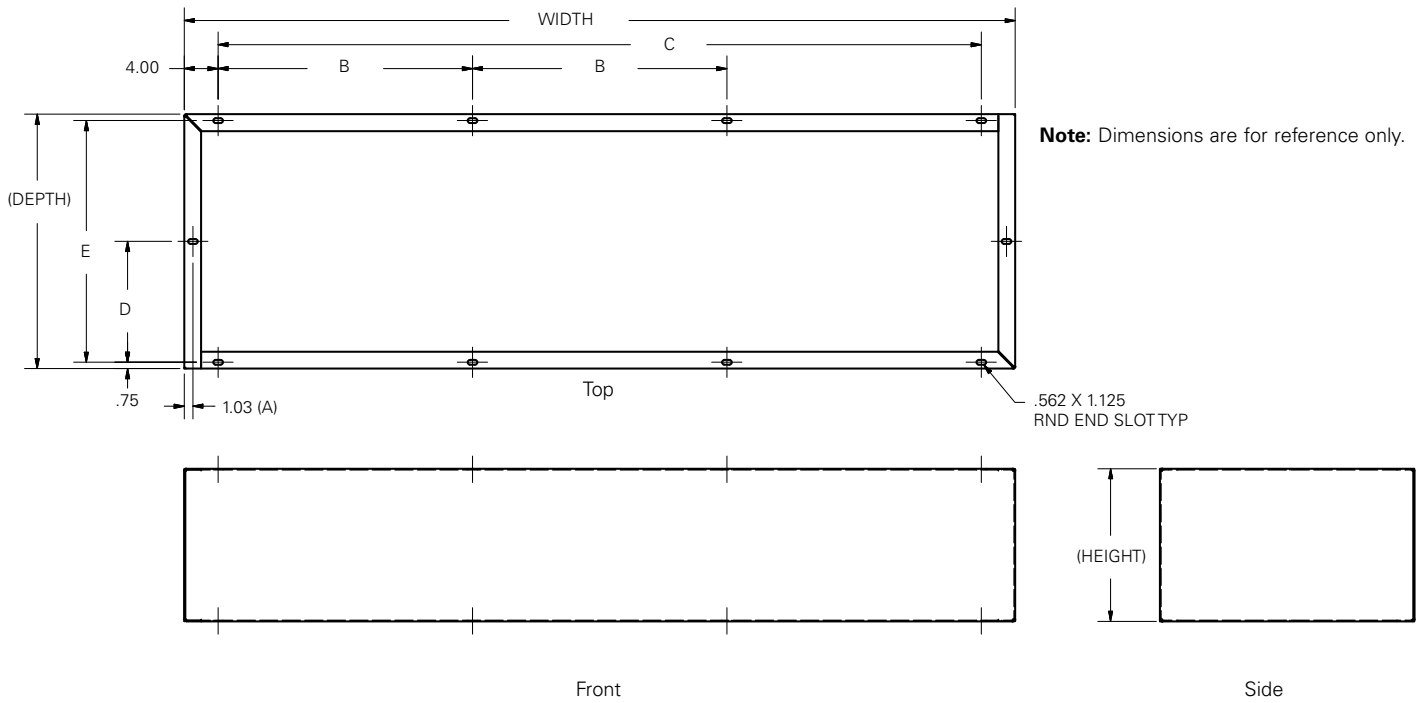
18" High											
Catalog Number	Description	A	B	C	D	E	F	G	H	J	K
GS182422	18H X 24W X 22D	25.0	18.0	29.0	17.5	20.5	32.0	17.25	-	16.0	34.5
GS183022	18H X 30W X 22D	31.0	18.0	35.0	17.5	20.5	32.0	20.25	-	22.0	40.5
GS184822	18H X 48W X 22D	49.0	18.0	53.0	17.5	20.5	32.0	29.25	20.0	40.0	58.5
GS186622	18H X 66W X 22D	67.0	18.0	71.0	17.5	20.5	32.0	38.25	29.0	58.0	76.5
GS188422	18H X 84W X 22D	85.0	18.0	89.0	17.5	20.5	32.0	47.25	38.0	76.0	94.5
GS189830	18H X 98W X 30D	98.0	18.0	104.0	21.0	28.5	44.0	-	30.0	90.0	111.0
30" High											
Catalog Number	Description	A	B	C	D	E	F	G	H	J	K
GS302422	30H X 24W X 22D	25.0	30.0	29.0	17.5	20.5	32.0	17.25	-	16.0	34.5
GS303022	30H X 30W X 22D	31.0	30.0	35.0	17.5	20.5	32.0	20.25	-	22.0	40.5
GS304822	30H X 48W X 22D	49.0	30.0	53.0	17.5	20.5	32.0	29.25	20.0	40.0	58.5
GS306622	30H X 66W X 22D	67.0	30.0	71.0	17.5	20.5	32.0	38.25	29.0	58.0	76.5
GS308422	30H X 84W X 22D	85.0	30.0	89.0	17.5	20.5	32.0	47.25	38.0	76.0	94.5
GS309830	30H X 98W X 30D	99.0	30.0	106.5	21.0	28.5	46.0	-	30.0	90.0	113.5

Note: Width and depth dimensions must be matched to corresponding SectER cabinet dimension.



**Steel base extensions**

Mild steel base extensions provide pad mounted above ground cable compartment and can also be used with ground sleeves in applications where raising the SecTER cabinet to a greater height is required.



**Figure 9. Base extension dimensions.**

**Table 4. Steel Base Extension Dimensional Information (Reference Figure 2)**

**18" High**

Catalog Number	Height	Width	Depth	A	B	C	D	E
SBE182422	18.0	24.0	22.0	-	-	16.00	-	20.50
SBE183022	18.0	30.0	22.0	-	-	22.00	-	20.50
SBE184822	18.0	48.0	22.0	-	20.00 (1X)	40.00	-	20.50
SBE186622	18.0	66.0	22.0	-	29.00 (1X)	58.00	-	20.50
SBE188422	18.0	84.0	22.0	-	38.00 (1X)	76.00	-	20.50
SBE189830	18.0	98.0	30.0	1.03	30.00 (2X)	90.00	14.25	28.50

**24" High**

Catalog Number	Height	Width	Depth	A	B	C	D	E
SBE242422	24.0	24.0	22.0	-	-	16.00	-	20.50
SBE243022	24.0	30.0	22.0	-	-	22.00	-	20.50
SBE244822	24.0	48.0	22.0	-	20.00 (1X)	40.00	-	20.50
SBE246622	24.0	66.0	22.0	-	29.00 (1X)	58.00	-	20.50
SBE248422	24.0	84.0	22.0	-	38.00 (1X)	76.00	-	20.50
SBE249830	24.0	98.0	30.0	1.03	30.00 (2X)	90.00	14.25	28.50

**Note:** Width and depth dimensions must be matched to corresponding SecTER cabinet dimension.

**Applicable standards**

IEEE Std C57.12.28™-2014 standard "IEEE Standard for Pad-Mounted Equipment-Enclosure Integrity"

IEEE Std C57.12.34™-2009 standard "IEEE Standard Requirements for Pad-Mounted, Compartmental-Type, Self-Cooled, Three-Phase Distribution Transformers-Parking Standoff Pockets only"

IEEE Std C57.12.38™-2014 standard "IEEE Standard Requirements for Pad-Mounted, Compartmental-Type, Self-Cooled, Single-Phase Distribution Transformers-Parking Standoff Pockets only"

IEEE Std 386™-2006 standard "IEEE Standard for Separable Insulated Connector Systems for Power Distribution Systems Above 600 V"

**Additional information**

Refer to the following literature for more information.

CA901002EN	600 A 15, 25, and 28 kV Class Clear SecTER Cabinet Catalog
MN901002EN	SecTER Cabinet Installation Instructions
PA901001EN	Easy and Flexible Installation Using New Universal SecTER Cabinet Product Aid
CT901001EN	SecTER Sectionalizing Terminal Enclosure Certified Test Report



**Eaton**  
1000 Eaton Boulevard  
Cleveland, OH 44122  
United States  
Eaton.com

**Eaton's Cooper Power Systems Division**  
2300 Badger Drive  
Waukesha, WI 53188  
United States  
Eaton.com/cooperpowerseries

© 2015 Eaton  
All Rights Reserved  
Printed in USA  
Publication No. CA901001EN

Eaton is a registered trademark.

All other trademarks are property  
of their respective owners.

For Eaton's Cooper Power series product infor-  
mation call 1-877-277-4636 or visit:  
[www.eaton.com/cooperpowerseries](http://www.eaton.com/cooperpowerseries).