

200 A 25 kV class loadbreak elbow connector with optional integral jacket seal



General

Eaton's Cooper Power™ series loadbreak elbow connector is a fully-shielded and insulated plug-in termination for connecting underground cable to transformers, switching cabinets and junctions equipped with loadbreak bushings. The elbow connector and bushing insert comprise the essential components of all loadbreak connections. The elbow connector is a fully rated 200 A switching device, designed in accordance to IEEE Std 386™-2006 standard.

Loadbreak elbows are molded using high quality peroxide-cured insulating and semi-conducting EPDM rubber. Standard features include a coppertop connector, tin-plated copper loadbreak probe with an ablative arc-follower tip and stainless steel reinforced pulling-eye. An optional capacitive test point, made of corrosion resistant plastic, is available for use with fault indicators (see Catalog Data CA320002EN and CA320003EN).

Cable ranges are designed to accept a wide range of cable conductor and insulation sizes with just three elbows and accommodate cable manufactured to either AEIC or ICEA standards.

The coppertop compression connector is a standard item to transition from the cable to the loadbreak probe. An aluminum crimp barrel is inertia-welded to a copper lug. The aluminum barrel makes the connector easy to crimp and the copper lug ensures a reliable, tight, cool operating connection with the loadbreak probe. Shown at far left is the loadbreak elbow connector with optional integral jacket seal and without test point; to its right is the loadbreak elbow without jacket seal and with test point.

Optional integral jacket seal

The optional integral jacket seal provides a quick and easy means of sealing the cable jacket to prevent moisture ingress. Our jacket seal is molded to the loadbreak elbow eliminating the need for separate cable sealing products. It's available with braided ground strap/bleeder wire for terminating Tape shielded cable. (See Figure 4.)

Shown at left is the loadbreak elbow connector with optional integral jacket seal and without test point. On the right is the loadbreak elbow without jacket seal and with test point.

EATON

Powering Business Worldwide

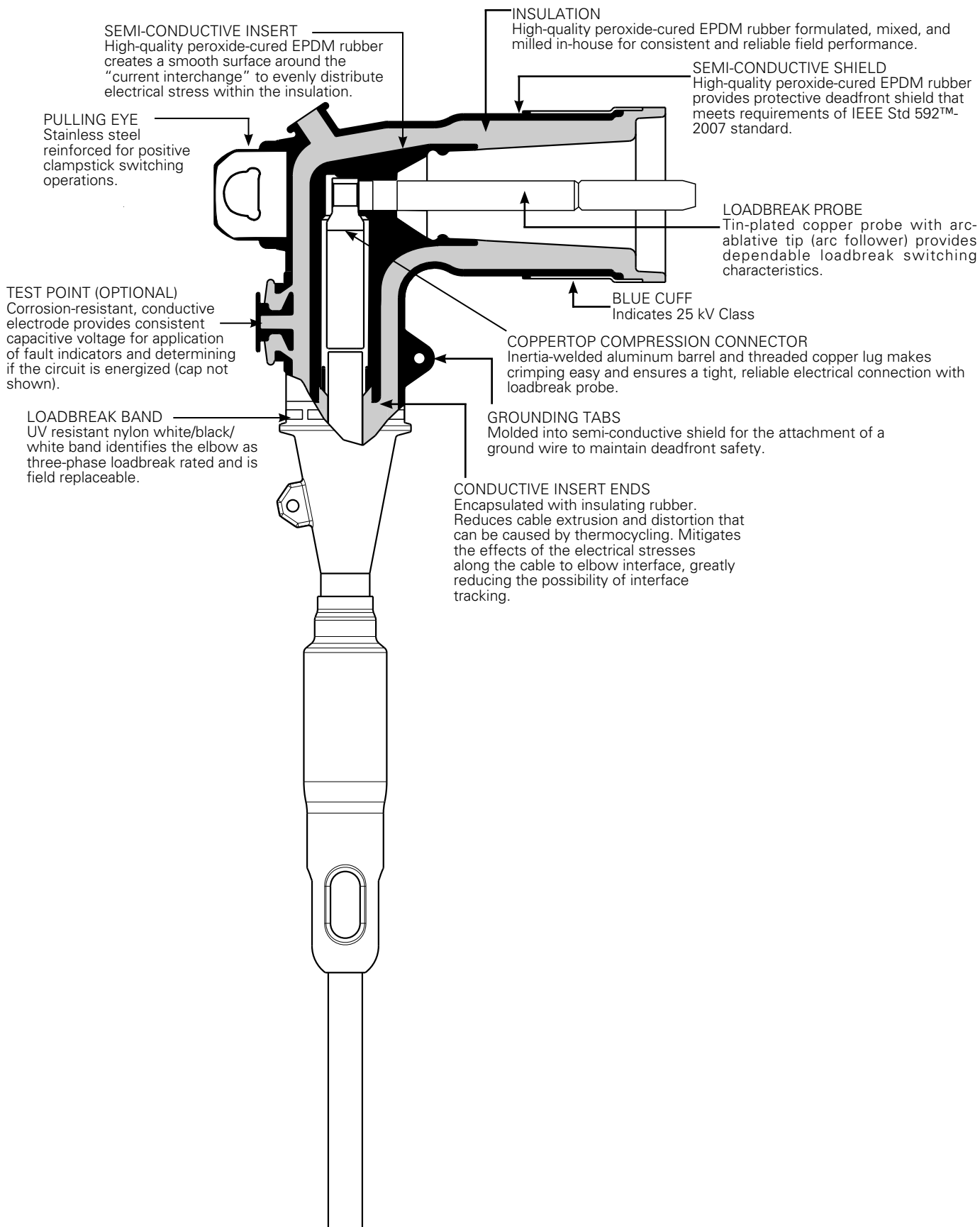
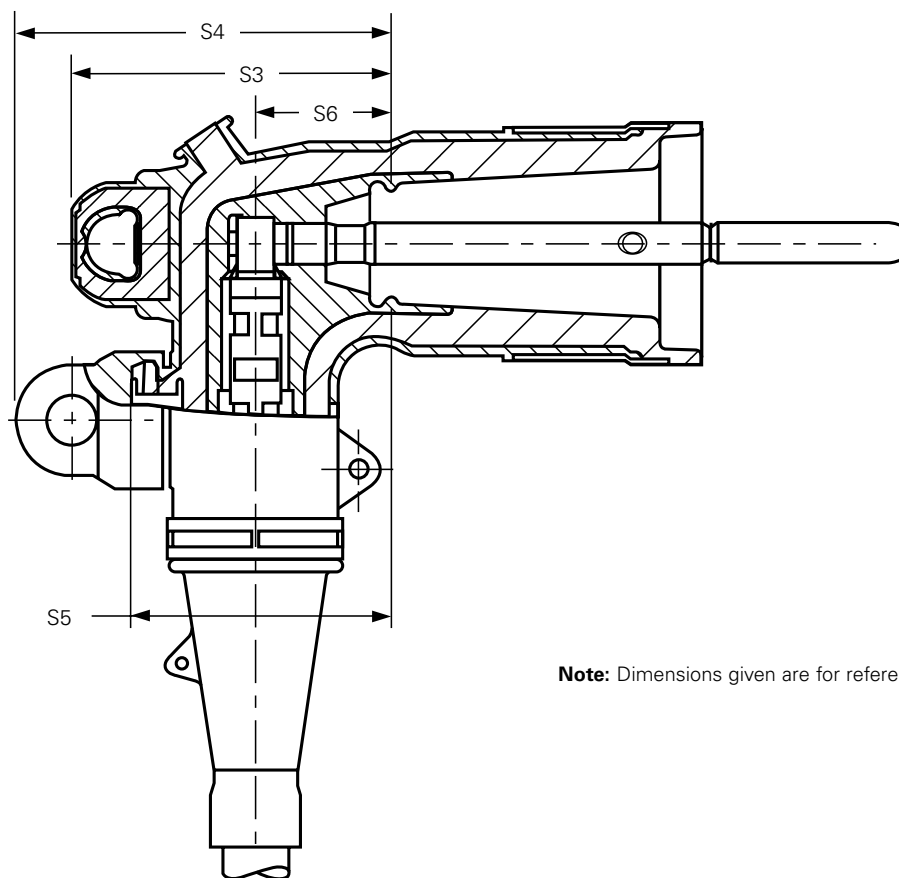


Figure 1. Elbow cutaway illustrates design features.



S Dim.	25 kV
S3	3.86" (98.04 mm)
S4	4.54" (115.32 mm)
S5	3.14" (79.76 mm)
S6	1.64" (41.66 mm)

Note: Dimensions given are for reference only.

Figure 2. Elbow profile and stacking dimensions as referenced in IEEE Std 386™-2006 standard.

Installation

Cable stripping and scoring tools, available from various tool manufacturers, are recommended for use when installing loadbreak elbows. After preparing the cable, the elbow housing is pushed onto the cable. The loadbreak probe is threaded into the coppertop connector using the supplied installation tool or an approved equivalent. Use a clampstick to perform loadmake and loadbreak operations. Refer to *Service Information MN650008EN 200 A 15 kV and 25 kV Class Elbow with Optional Integral Jacket Seal Installation Instructions* for details.

Production tests

Tests conducted in accordance with IEEE Std 386™-2006 standard:

- AC 60 Hz 1 Minute Withstand
 - 40 kV
- Minimum Corona Voltage Level
 - 19 kV
- Test Point Voltage Test

Tests conducted in accordance with Eaton requirements:

- Physical Inspection
- Periodic Dissection
- Periodic Fluoroscopic Analysis

Table 1. Voltage Ratings and Characteristics

Description	kV
Standard Voltage Class	25
Maximum Rating Phase-to-Phase	26.3
Maximum Rating Phase-to-Ground	15.2
AC 60 Hz 1 Minute Withstand	40
DC 15 Minute Withstand	78
BIL and Full Wave Crest	125
Minimum Corona Voltage Level	19

Voltage ratings and characteristics are in accordance with IEEE Std 386™-2006 standard.

Table 2. Current Ratings and Characteristics

Description	Amperes
Continuous	200 A rms
Switching	10 operations at 200 A rms at 26.3 kV
Fault Closure	10,000 A rms symmetrical at 26.3 kV for 0.17 s after 10 switching operations
Short Time	10,000 A rms symmetrical for 0.17 s 3,500 A rms symmetrical for 3.0 s

Current ratings and characteristics are in accordance with IEEE Std 386™-2006 standard.

Ordering information

The elbow kits are packaged in a heavy duty polyethylene bag. There are 20 bagged kits to a carton. Individual boxed kits are also available by special part number. To order a 25 kV Class Loadbreak Elbow Kit follow the easy steps below.

Each kit contains:

- Standard Elbow Body or Elbow Body with Jacket Seal
- Coppertop Compression Connector
- Loadbreak Probe
- Probe Installation Tool
- Silicone Lubricant
- Mastic Strips (**Jacket Seal Elbow Only**)
- Installation Instruction Sheet

STEP 1: Determine the cable's diameter over the electrical insulation as shown in Figure 3 (including tolerances) from cable manufacturer. Then identify a cable range from Table 3 that brackets the minimum and maximum insulation diameters. Select the CABLE RANGE CODE from the far right column.

STEP 2: Identify the conductor size and type in Table 4 and select the CONDUCTOR CODE from the far right column.

STEP 3: For an elbow kit with a capacitive test point order:



For an elbow kit with integral jacket seal and capacitive test point order:

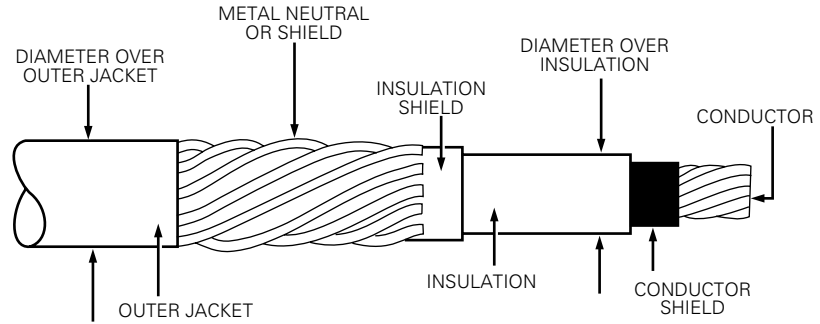


Figure 3. Illustration showing typical construction of medium voltage underground cable.

For an elbow kit without a capacitive test point order:



For an elbow kit with integral jacket seal without a capacitive test point order:



For an elbow kit without a compression connector, use "00" for the conductor code.

STEP 4: For optional braided ground strap/bleeder wire for terminating tape shielded cable, Insert "GS" after test point and/or bail option code. (**Integral Jacket Seal Elbow Only**)

STEP 5: (Optional) For an elbow kit individually packaged in a corrugated cardboard box, insert an "X" as the last character in the part number.

Table 3. Cable Range for Loadbreak Elbow

Inches	Millimeters	Cable Range Code
0.610" - 0.970"	15.5 - 24.6	AB
0.750" - 1.080"	19.1 - 27.4	CC
0.890" - 1.220"	22.6 - 30.0	DD

Table 4. Conductor Size and Type

Class B Stranded or Compressed		Compact or Solid		Conductor Code
AWG	mm ²	AWG	mm ²	
No Connector				00
#6	16	#4	–	01
#4	–	#3	25	02
#3	25	#2	35	03
#2	35	#1	–	04
#1	–	1/0	50	05
1/0	50	2/0	70	06
2/0	70	3/0	–	07
3/0	–	4/0	95	08
4/0	95	250	120	09
250*	120	300	–	10

* Compressed stranding only.

Note: Coppertop compression connector may be used on both aluminum and copper cable conductors.

EXAMPLE: Select an integral jacket seal elbow kit with a capacitive test point for use on a #1 compact cable with a minimum insulation diameter of 0.770" and a maximum diameter of 0.830".

STEP 1: From Table 3, identify the cable range 0.750–1.080" and select the **"CC"** CABLE RANGE CODE.

STEP 2: The conductor size is a #1 and the type is compact.

From Table 4, under the column "Compact or Solid" identify #1 and select the **"04"** conductor code.

STEP 3: Order catalog number.

LEJ225CC04T

Table 5. Replacement 2.88" Long Coppertop Connectors

Concentric or Compressed		Compact or Solid		Catalog Number
AWG	mm ²	AWG	mm ²	
#6	16	#4	–	CC2C01T
#4	–	#3	25	CC2C02T
#3	25	#2	35	CC2C03T
#2	35	#1	–	CC2C04T
#1	–	1/0	50	CC2C05T
1/0	50	2/0	70	CC2C06T
2/0	70	3/0	–	CC2C07T
3/0	–	4/0	95	CC2C08T
4/0	96	250	120	CC2C09T
250*	120	300	–	CC2C10T

* Compressed stranding only.

Note: Coppertop compression connector may be used on both aluminum and copper cable conductors.

Table 6. Replacement Parts

Description	Catalog Number
Loadbreak Probe Installation Tool	2602733A01
Loadbreak Probe Only	2637794B01
Probe Kit (includes Probe, Installation Tool, Silicone Lubricant, Installation Instruction Sheet)	PK225
Silicone Grease 0.175 oz tube (5 grams) 5.3 oz tube (150 grams)	2603393A03 2605670A02M
Test Point Cap	2639992A01
Includes Ground Braid, Constant Force Spring and Mastic	GRDBRAIDKIT

Accessories



Figure 4. Braided ground strap kit.

This page intentionally left blank.

Eaton
1000 Eaton Boulevard
Cleveland, OH 44122
United States
Eaton.com

Eaton's Cooper Power Systems Division
2300 Badger Drive
Waukesha, WI 53188
United States
Eaton.com/cooperpowerseries

© 2015 Eaton
All Rights Reserved
Printed in USA
Publication No. CA650098EN

Eaton is a registered trademark.
All other trademarks are property
of their respective owners.

For Eaton's Cooper Power series product
information call 1-877-277-4636 or visit:
www.eaton.com/cooperpowerseries.