

# 25 kV class fused loadbreak elbow connector



## General

Eaton combines a fully-shielded and insulated plug-in termination with full-range current-limiting fuse protection with its Cooper Power™ series 25 kV Class fused loadbreak elbow connector. The fused loadbreak elbow connector provides a convenient and cost effective means to adding fused protection to underground distribution systems, for connecting underground cables to transformers, switching cabinets and junctions equipped with IEEE Std 386™-2006 standard 200 A, 25 kV Class loadbreak bushings. Designed as a switching device, it is tested at the maximum fuse rating in accordance to the procedures of IEEE Std 386™-2006 standard.

Fused loadbreak elbow connectors are molded using high quality peroxide-cured insulating and semi-conducting EPDM rubber. Standard features include a copper probe adapter, coppertop connector, copper loadbreak probe with an ablative arc-follower tip and stainless steel reinforced pulling-eye. The capacitive test points are made of corrosion resistant plastic and are used for voltage detection.

Cable ranges are designed to accept a wide range of cable conductor and insulation sizes and accommodate cable manufactured to either AEIC or ICEA standards.

The coppertop compression connector consists of an aluminum crimp barrel inertia-welded to a copper lug and provides a connection to transition from the cable to the current-limiting fuse. The aluminum barrel makes the connector easy to crimp and the copper lug ensures a reliable, tight, cool operating connection with the current-limiting fuse.

## Design tests

To assure a superior level of performance the fused loadbreak elbow connector has been tested according to applicable sections of the following ANSI® and IEEE® standards:

- IEEE Std C37.40™ standard Service Conditions and Definitions for High-Voltage Fuses
- IEEE Std C37.41™ standard Design Tests for High-Voltage Fuses
- IEEE Std 386™-2006 standard for Separable Insulated Connector Systems
- ANSI® C37.47 Standard Specifications for Distribution Fuse Disconnecting Switches and Current-Limiting Fuses

**EATON**

*Powering Business Worldwide*

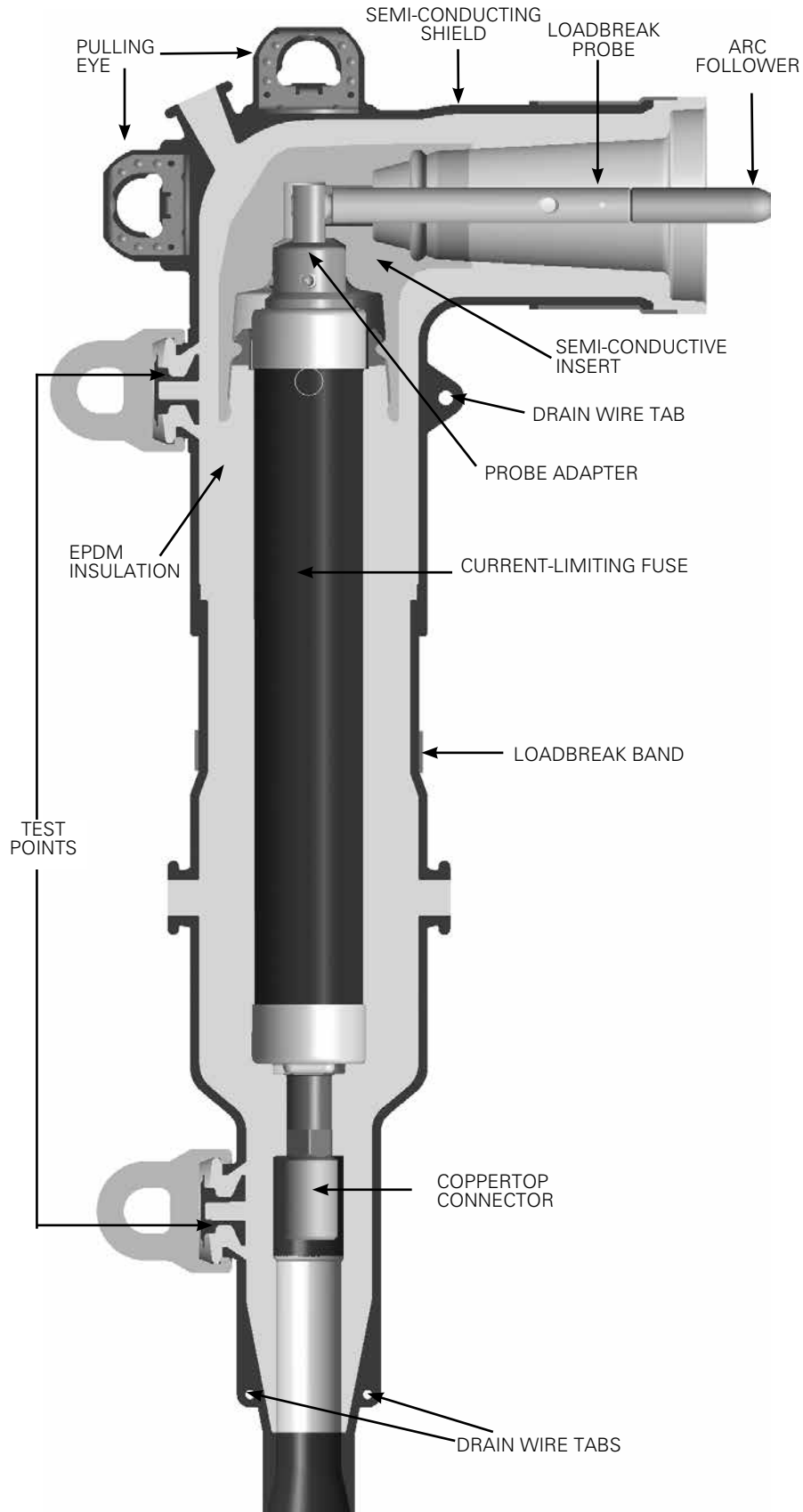
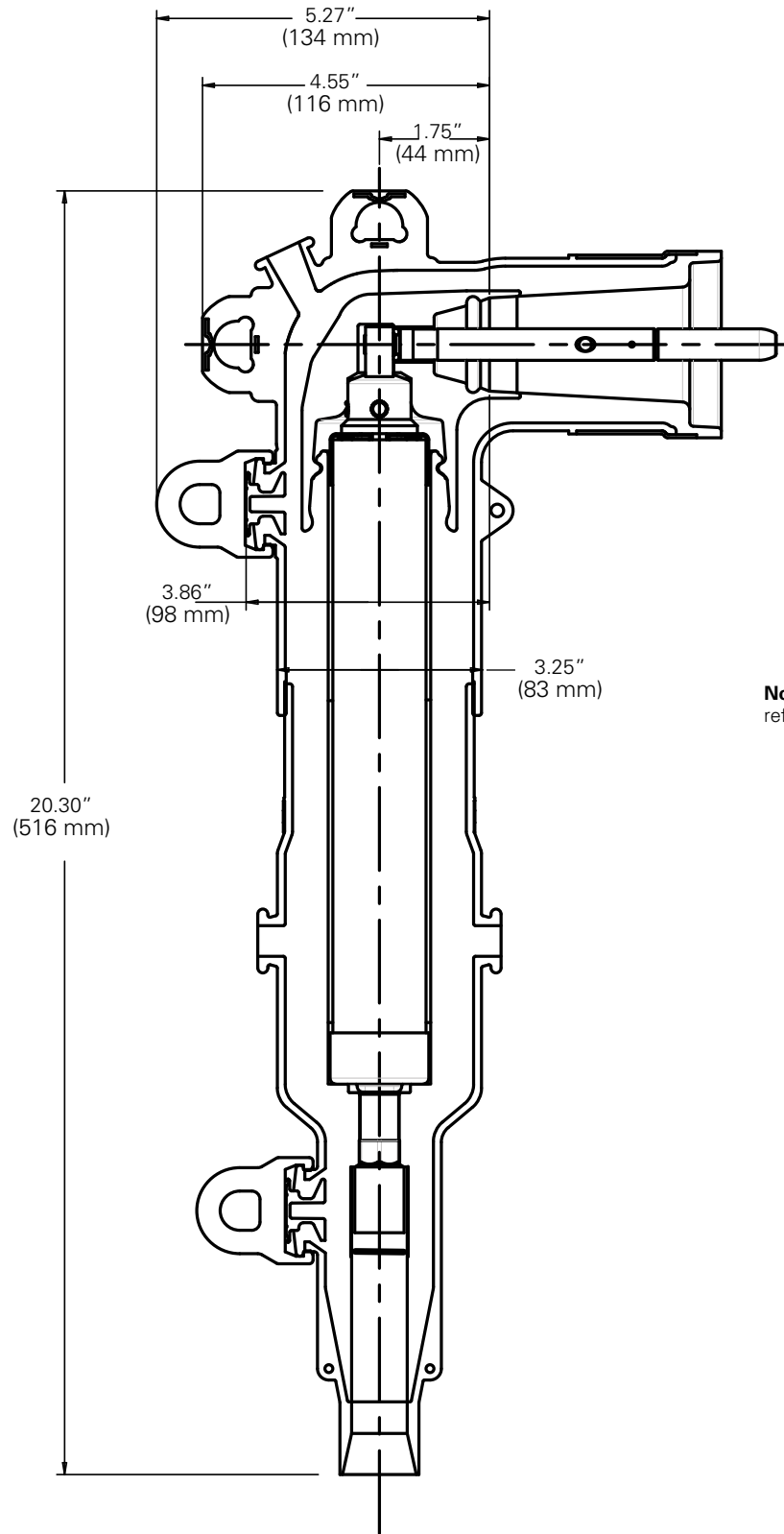


Figure 1. 25 kV Class fused loadbreak elbow connector cutaway illustrates design features.



**Note:** Dimensions given are for reference only.

Figure 2. 25 kV Class fused loadbreak elbow connector profile and stacking dimensions shown.

### Installation

Cable stripping and scoring tools available from various tool manufacturers are recommended for use when installing fused loadbreak elbows. After preparing the cable, the cable housing is pushed onto the cable. The current-limiting fuse is threaded into the coppertop connector using the supplied hex wrench. The probe adapter and elbow housing are installed and loadbreak probe threaded into the probe adapter. Use a clampstick to perform loadmake and loadbreak operations. Refer to installation instructions, MN650014EN.

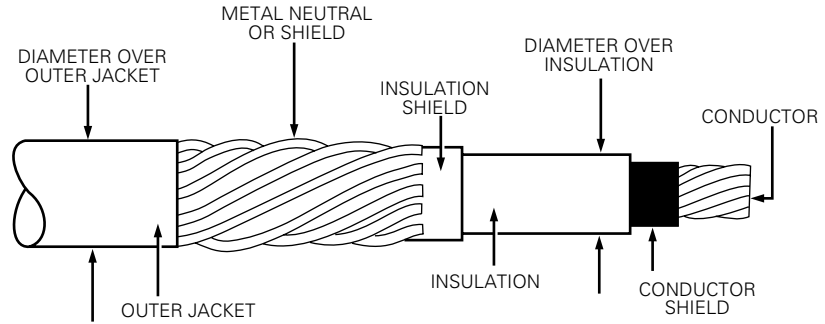


Figure 3. Illustration showing typical construction of medium voltage underground cable.

### Production tests

Tests conducted in accordance with IEEE Std 386™-2006 standard:

- AC 60 Hz 1 Minute Withstand
  - 40 kV
- Minimum Corona Voltage Level
  - 19 kV
- Test Point Voltage Test

Tests conducted in accordance with Eaton requirements:

- Physical Inspection
- Periodic Dissection
- Periodic Fluoroscopic Analysis

Table 1. Voltage Ratings and Characteristics

Description	kV
Standard Voltage Class	25
Maximum Rating Phase-to-Phase	15.2
Maximum Rating Phase-to-Ground	15.2
AC 60 Hz 1 Minute Withstand	40
DC 15 Minute Withstand	78
BIL and Full Wave Crest	125
Minimum Corona Voltage Level	19

Voltage ratings and characteristics are in accordance with IEEE Standard 386™-2006 standard.

Table 2. Current Ratings and Characteristics

Description	Amperes
Continuous	Fuse rating
Switching	10 operations at fuse current rating at 15.5 kV
Fault Closure	10,000 A rms symmetrical at 15.5 kV after 10 switching operations

### Ordering information

The fused loadbreak elbow connector, elbow/cable housing kits are packaged in individual corrugated cardboard cartons. Each kit contains:

- Fused Elbow, Cable Housing
- Fused Elbow, Elbow Housing
- Coppertop Compression Connector
- Loadbreak Probe
- Probe Adapter and Set Screws
- Probe Installation Tool
- 1/8" Hex Wrench
- Silicone Lubricant
- Installation Instruction Sheet

**Note: Current-limiting fuses sold separately. See Tables 6 and 7 for fuse recommendations and Table 5 for electrical ratings and catalog number information.**

To order a 25 kV Class fused loadbreak elbow connector kit follow the easy steps below.

**STEP 1:** Determine the cable's diameter over the electrical insulation as shown in Figure 3 (including tolerances) from cable manufacturer. Then identify a cable range from Table 3 that brackets the minimum and maximum insulation diameters. Select the CABLE RANGE CODE from the far right column.

**STEP 2:** Identify the conductor size and type in Table 4 and select the CONDUCTOR CODE from the far right column.

For an elbow kit without a compression connector, use "00" for the conductor code.

**STEP 3:** For a fused loadbreak elbow and cable housing kit order:

LFEP225TFEC CABLE RANGE CODE CONDUCTOR CODE AT

Table 3. Cable Range for Loadbreak Elbow

Inches	Millimeters	Cable Range Code
0.610" - 0.820"	15.5 - 20.8	A
0.740" - 0.980"	18.8 - 24.9	B
0.910" - 1.180"	23.1 - 29.9	C

**EXAMPLE:** Select a fused elbow probe and conductor housing kit for 1/0 compressed stranded with a minimum insulation diameter of 0.830" (21.0 mm) and a maximum diameter of 0.980" (22.6 mm).

**STEP 1:** From Table 3, identify the cable range 0.740"—0.980" (18.8 mm - 24.9 mm) and select the "B" CABLE RANGE CODE.

**STEP 2:** The conductor size is a 1/0 and the type is compressed.

From Table 4, under the column "Class B Stranded or Compressed" identify 1/0 and select the "06" conductor code.

**STEP 3:** Order catalog number.

**LFEP225TFECB06AT**

**Table 4. Conductor Size and Type**

Class B Stranded or Compressed		Compact or Solid		CONDUCTOR CODE
AWG	mm <sup>2</sup>	AWG	mm <sup>2</sup>	
<b>No Connector</b>				<b>00</b>
		#2	35	<b>03</b>
#2	35	#1	—	<b>04</b>
#1	—	1/0	50	<b>05</b>
1/0	50	2/0	70	<b>06</b>
2/0	70	3/0	—	<b>07</b>
3/0	—	4/0	95	<b>08</b>
4/0	95	250	120	<b>09</b>
250*	120	—	—	<b>10</b>

\* Compressed stranding only.

**Note:** Coppertop compression connector may be used on both aluminum and copper cable conductors.

**Table 5. Fused Loadbreak Elbow Connector Fuse Electrical Ratings and Catalog Numbers**

Nominal System Voltage Class - kV	Nominal Fuse Voltage Rating kV	Nominal Fuse Current rating in Amperes	Fuse Catalog Number	Maximum Continuous Current			Minimum Melt I <sup>2</sup> t (A <sup>2</sup> s)	Maximum Total I <sup>2</sup> t (A <sup>2</sup> s)
				25°C	40°C	65°C		
25	15.5	6	FEF155A006	8.5	8.3	8.0	710	3,800
		8	FEF155A008	11.7	11.3	10.9	1,000	5,435
		10	FEF155A010	14.4	13.9	13.5	1,200	5,500
		12	FEF155A012	16.0	15.5	15.0	1,200	5,500
		18	FEF155A018	21.1	20.4	19.7	1,500	7,800
		20	FEF155A020	24.6	23.7	23.0	2,425	12,000

**200 A shorting bar (solid link)**

The 200 A fused loadbreak elbow connector shorting bar is used for temporary restoration of service when a standard fuse is not available and can also be used during fault locating and grounding.

**Catalog FESBA kit contains:**

- (1) Shorting Bar (solid Link)
- (1) 3/16" re-usable hex wrench
- (1) 1/8" re-usable hex wrench
- (25) Adapter set screws
- (5) Wire probe wrenches
- (1) Bleeder strap
- (1) Re-usable caution tag with clasp
- (1) Hard plastic carrying case
- (1) Installation Instruction Sheet



**Figure 4. Shorting bar kit, catalog FESBA**

**Table 6. Recommended Fuse Ratings for Single- and Three-Phase Applications**

Nominal Fuse Rated Voltage - 8.3 kV											Nominal Fused Rated Voltage - 15.5 kV							
Transformer Single-Phase Voltage Rating (kV) - Phase-to-Ground																		
1ø kVA	2.4 kV		4.16 kV		4.8 kV		6.93 - 7.2 kV		7.62 & 7.97 kV		12 & 12.47 kV		13.2 kV		13.8 kV		14.4 kV	
	A	B	A	B	A	B	A	B	A	B	A	B	A	B	A	B	A	B
10	—	6	—	6*	—	—	—	6*	—	6*	—	6*	—	6*	—	6*	—	6*
15	8	10	—	6	—	6	—	6*	—	6*	—	6*	—	6*	—	6*	—	6*
25	12	20	8	10	—	8	—	6	—	6	—	6*	—	6*	—	6*	—	6*
37.5	20	25	10	18	10	12	—	8	—	8	—	6	—	6*	—	6	—	6*
50	25	40	18	20	12	20	10	12	8	10	—	6	—	6	—	6	—	6
75	40	—	20	30	20	30	12	20	12	18	8	10	8	8	8	10	—	8
100	—	—	30	—	30	40	25	30	18	25	10	18	10	12	10	18	12	10
167	—	—	—	—	—	—	40	—	25	40	18	—	18	—	18	—	20	20
250	—	—	—	—	—	—	—	—	—	—	—	—	—	—	—	—	—	—
333	—	—	—	—	—	—	—	—	—	—	—	—	—	—	—	—	—	—
500	—	—	—	—	—	—	—	—	—	—	—	—	—	—	—	—	—	—

Nominal Fuse Rated Voltage - 8.3 kV											Nominal Fused Rated Voltage - 15.5 kV						
Transformer Three-Phase Voltage Rating (kV) - Phase-to-Phase																	
3ø kVA	2.4 kV		4.16 kV		4.8 kV		8.32 kV		12.47 kV		13.2 to 14.4 kV		20.8 kV		22.9 - 24.9 kV		
	A	B	A	B	A	B	A	B	A	B	A	B	A	B	A	B	
30	10	12	—	6	—	6	—	6*	—	6*	—	6*	—	6*	—	6*	
45	12	20	8	10	—	8	—	6	—	6*	—	6*	—	6*	—	6*	
75	20	30	12	20	10	18	—	8	—	6	—	6*	—	6*	—	6*	
112.5	40	—	20	28	18	25	10	12	—	8	—	8	—	8	6	6	6
150	—	—	25	40	20	30	12	20	—	12	8	12	8	10	8	8	8
225	—	—	40	—	40	—	20	25	12	20	12	18	12	12	10	10	10
300	—	—	—	—	—	—	25	40	18	25	18	25	12	18	18	12	12
500	—	—	—	—	—	—	40	—	30	40	30	40	18	—	—	—	—
750	—	—	—	—	—	—	—	—	—	40	—	—	—	—	—	—	—
1000	—	—	—	—	—	—	—	—	—	—	—	—	—	—	—	—	—
1500	—	—	—	—	—	—	—	—	—	—	—	—	—	—	—	—	—

\* Fuse allows more than 300% of the transformer rating.

**Notes:**

- Fuse selection is based on the continuous current rating of the fuses at 40°C
- Fuses in listed Column A allow between 1.4 and 2 times the rated current of the transformer; those listed in Column B, allow 2-3 times the rated current of the transformer.
- Recommended fuses meet inrush criteria of 12 times transformer full load current for 0.1 second and 25 times full load current for 0.01 second. Fuses also meet cold load pickup criteria of 6 times transformer full load current for 1 second and 3 times full load current of 10 seconds.
- For three-phase applications, recommendations are limited to GRDY-GRDY transformers with no more than 50% delta connected secondary load, along with certain other assumptions. It is common practice to use line-to-ground rated fuses.

**Table 7. Recommended Fuse Ratings for Three-Phase Delta Applications**

Nominal Fuse Rated Voltage - 8.3 kV									Nominal Fuse Rated Voltage - 15.5 kV			
Transformer Three-Phase Voltage Rating (kV) - Phase-to-Phase												
3ø kVA	2.4 kV		4.16 kV		4.8 kV		8.32 kV		12.47 kV		13.2 to 14.4 kV	
	A	B	A	B	A	B	A	B	A	B	A	B
30	10	12	—	6	—	6	—	6*	—	6*	—	6*
45	12	20	8	10	—	8	—	6	—	6*	—	6*
75	20	30	12	20	10	18	—	8	—	6	—	6*
112.5	40	—	20	28	18	25	10	12	—	8	—	8
150	—	—	25	40	20	30	12	20	—	12	8	12
225	—	—	40	—	40	—	20	25	12	20	12	18
300	—	—	—	—	—	—	25	40	18	20	18	20 <sup>1</sup>
500	—	—	—	—	—	—	40	—	—	—	—	—
750	—	—	—	—	—	—	—	—	—	—	—	—
1000	—	—	—	—	—	—	—	—	—	—	—	—
1500	—	—	—	—	—	—	—	—	—	—	—	—

\* Fuse allows more than 300% of the transformer rating.

<sup>1</sup> 20 A @ 14.4 kV only.

**Notes:**

- Fuse selection is based on the continuous current rating of the fuses at 40°C
- Fuses in listed Column A allow between 1.4 and 2 times the rated current of the transformer; those listed in Column B, allow 2-3 times the rated current of the transformer.
- Recommended fuses meet inrush criteria of 12 times transformer full load current for 0.1 second and 25 times full load current for 0.01 second. Fuses also meet cold load pickup criteria of 6 times transformer full load current for 1 second and 3 times full load current of 10 seconds.

**Table 8. Replacement Fused Loadbreak Elbow Connector****Conductor Size**

Concentric or Compressed		Compact or Solid		Catalog Number
AWG	mm <sup>2</sup>	AWG	mm <sup>2</sup>	
		#2	35	FECC2C03T
#2	35	#1	—	FECC2C04T
#1	—	1/0	50	FECC2C05T
1/0	50	2/0	70	FECC2C06T
2/0	70	3/0	—	FECC2C07T
3/0	—	4/0	95	FECC2C08T
4/0	95	—	—	FECC2C09T
250*	120	—	—	FECC2C10T

\* Compressed stranding only.

**Note:** Coppertop compression connector may be used on both aluminum and copper cable conductors.

**Table 9. Replacement Parts**

Description	Catalog Number
Loadbreak Probe Installation Tool	2602733A01
Probe Kit (includes Probe, Installation Tool, Silicone Lubricant, Installation Instruction Sheet)	PK225
Probe Adapter Kit (Includes Adapter, (2) Set Screws and 1/8" Hex Wrench)	FEADPT
Fuse Replacement Wrench Kit (includes Probe Adapter, (2) Set Screws, 1/8" Hex Wrench, (2) 3/16" Hex Wrenches, (2) Probe Installation Tools)	FEWKIT
Silicone Grease 0.175 oz tube (5 grams)	2603393A03
5.3 oz tube (150 grams)	2605670A02M
Test Point Cap	2639992A01

**Eaton**  
1000 Eaton Boulevard  
Cleveland, OH 44122  
United States  
Eaton.com

**Eaton's Cooper Power Systems Division**  
2300 Badger Drive  
Waukesha, WI 53188  
United States  
Eaton.com/cooperpowerseries

© 2015 Eaton  
All Rights Reserved  
Printed in USA  
Publication No. CA650070EN

Eaton is a registered trademark.  
All other trademarks are property  
of their respective owners.

For Eaton's Cooper Power series product  
information call 1-877-277-4636 or visit:  
[www.eaton.com/cooperpowerseries](http://www.eaton.com/cooperpowerseries).