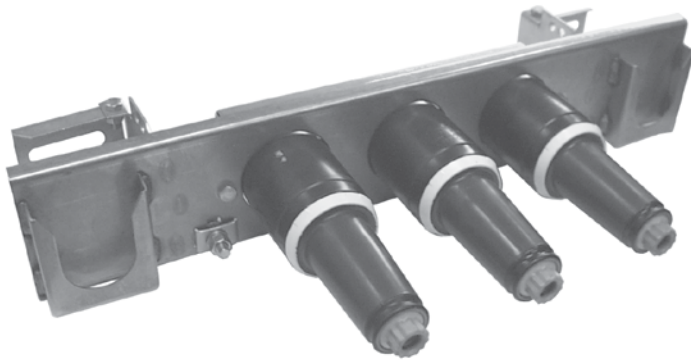


# 200 A 25 kV class loadbreak junction



## General

Eaton's Cooper Power™ series 200 A, 25 kV Class loadbreak junction provides two, three or four 15.2/26.3 kV loadbreak interfaces that are internally bused together and meet all requirements of IEEE Std 386™-2006 standard—Separable Insulated Connector Systems. Loadbreak junctions are used in pad-mounted apparatus, underground vaults, and other apparatus to sectionalize, establish loops, taps, or splices, and to facilitate apparatus changeouts. Sectionalizing a cable run to find and isolate a cable fault is made easy when a loadbreak junction is used with 25 kV Class loadbreak elbows and other accessories meeting the requirements of IEEE Std 386™-2006 standard. When mated with a comparably rated product, the junction provides a fully shielded, submersible, separable connection for loadbreak operation.

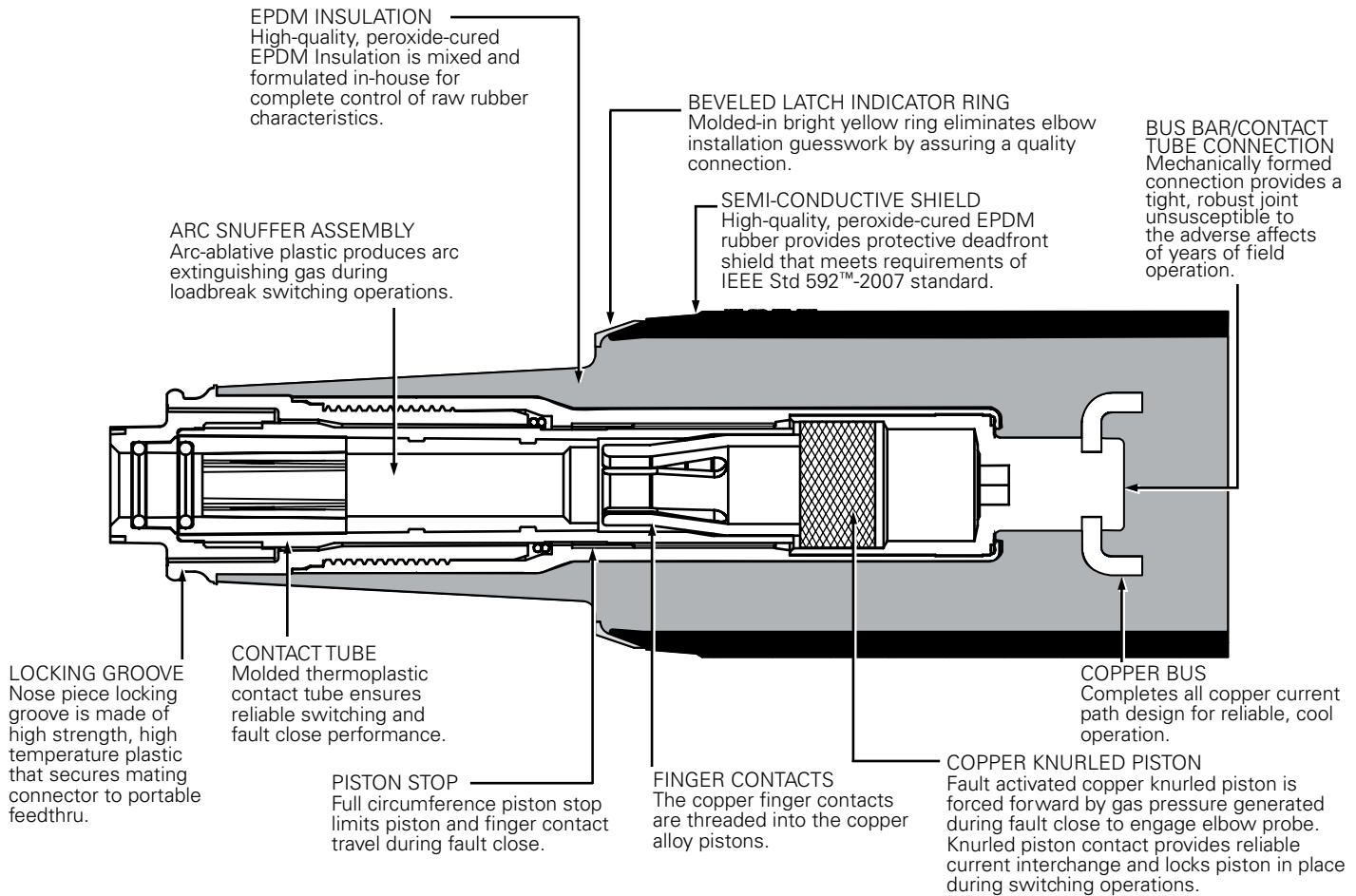
The junction has a continuous solid current path of all copper alloy. No aluminum components are used. It also has an ablative arc snuffer with superior de-ionizing properties. The body is molded of high-quality peroxide-cured EPDM insulation and has a molded on peroxide-cured semi-conductive EPDM shield.

Eaton's latch indicator ring, located on the circumference of the interface collar, eliminates the guesswork of loadbreak elbow installation on the interface. The bright yellow ring provides immediate feedback to determine if the elbow is properly installed on the junction. If the yellow ring is completely covered by the loadbreak elbow, the elbow is fully "latched." If the ring is visible, the elbow is not fully installed, so the operator can correct it before any problems occur.

The loadbreak junction has an adjustable stainless steel bracket for mounting at various operating angles on flat or curved surfaces, with up to 90° tilt in 10° increments. The solid backplated channel provides strong, rigid support of the junction for optimum loadbreak operation. Parking stands accommodate insulated standoff bushings or portable feedthrus. Drain wire clamps can each accommodate two wires up to 1/0 stranded (3/8" diameter). Stainless steel "U" straps are available for direct wall mounting.

**EATON**

*Powering Business Worldwide*



**Figure 1. Illustration shows cutaway of loadbreak junction with continuous current path of all copper alloy. Field proven, all copper alloy current path ensures the coolest operating temperatures and reliable current flow.**

## Installation

No special tools are required. Junctions are bolted to the mounting surface. Refer to Installation Instruction Sheet S500-15-1 for details.

## Production tests

Tests are conducted in accordance with IEEE Std 386™-2006 standard.

- AC 60 Hz 1 Minute Withstand
  - 40 kV
- Minimum Corona Voltage Level
  - 19 kV

Tests are conducted in accordance with Eaton requirements.

- Physical Inspection
- Periodic Dissection
- Periodic Fluoroscopic Analysis

**Table 1. Voltage Ratings and Characteristics**

Description	kV
Standard Voltage Class	25
Maximum Rating Phase-to-Phase	26.3
Maximum Rating Phase-to-Ground	15.2
ac 60 Hz 1 Minute Withstand	40
dc 15 Minute Withstand	78
BIL and Full Wave Crest	125
Minimum Corona Voltage Level	19

Voltage ratings and characteristics are in accordance with IEEE Std 386™-2006 standard.

**Table 2. Current Ratings and Characteristics**

Description	Amperes
Continuous	200 A rms
Switching	10 operations at 200 A rms at 26.3 kV
Fault Closure	10,000 A rms symmetrical at 26.3 kV for 0.17 s after 10 switching operations
Short Time	10,000 A rms symmetrical for 0.17 s 3,500 A rms symmetrical for 3.0 s

Current ratings and characteristics are in accordance with IEEE Std 386™-2006 standard

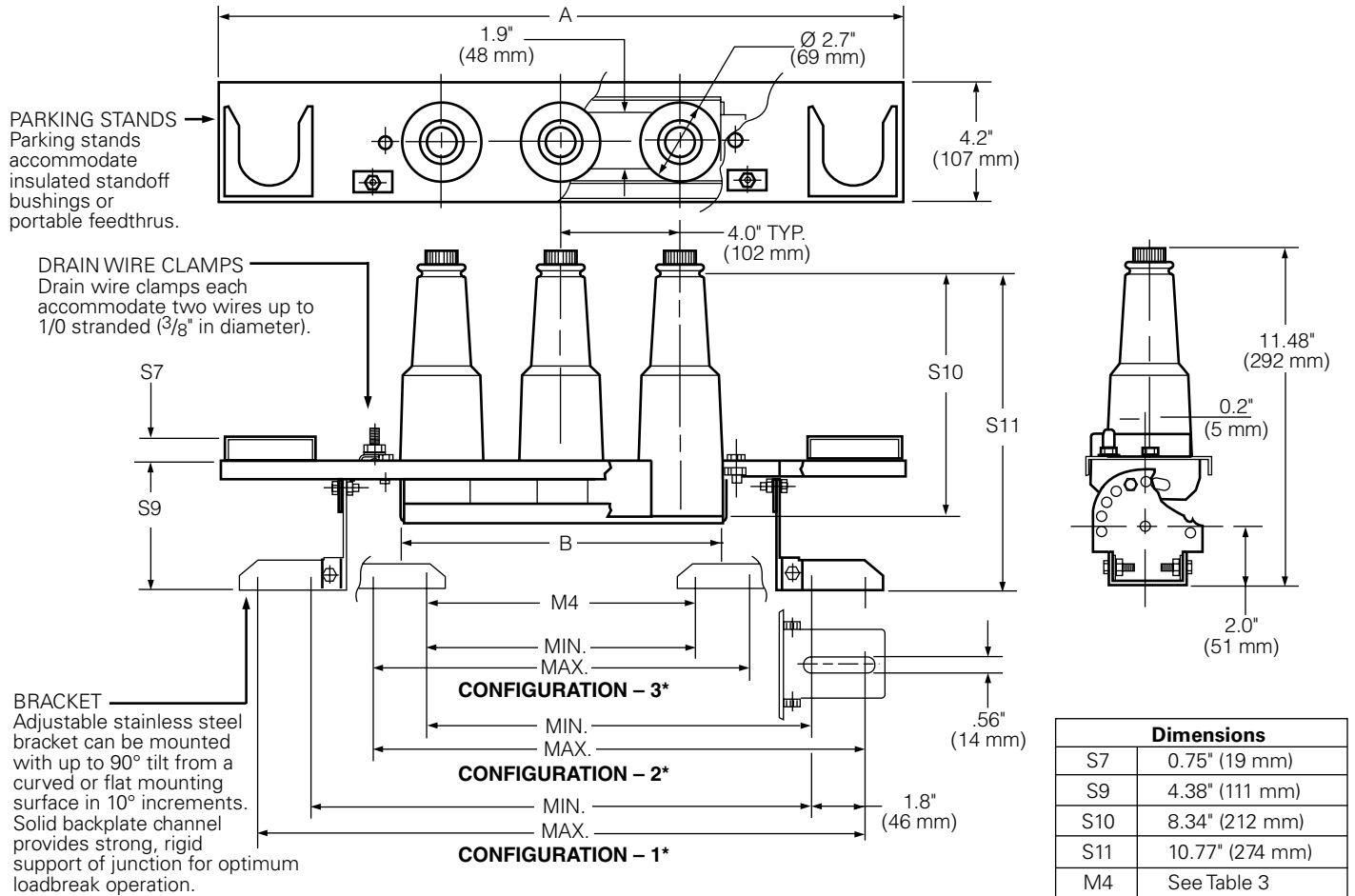


Figure 2. Dimensional drawing shows mounting configuration.

Note: Dimensions given are for reference only.

Table 3. Dimensional Information

Number of Items			Physical Dimensions		M4 Mounting Dimensions in./mm					
Interfaces	Parking Stand	Ground Clamp	in./mm		Configuration 1*		Configuration 2*		Configuration 3*	
			A	B	Min.	Max.	Min.	Max.	Min.	Max.
2	1	1	14.2 (361)	6.7 (170)	11.9 (302)	15.6 (396)	8.0 (203)	11.7 (297)	4.2 (107)	7.8 (198)
3	2	2	23.0 (584)	10.7 (272)	16.8 (427)	20.4 (518)	12.9 (328)	16.5 (419)	9.0 (229)	12.6 (320)
4	2	2	27.0 (686)	14.7 (373)	20.8 (528)	24.4 (620)	16.9 (429)	20.5 (521)	13.0 (330)	16.6 (422)

- \* Configuration 1. Both feet turned out.
- Configuration 2. One foot turned out, one in.
- Configuration 3. Both feet turned in.

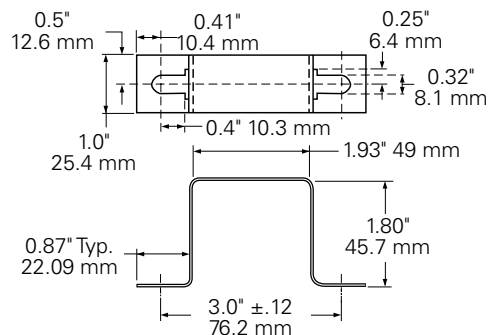


Figure 3. Stainless Steel U-Strap for direct wall mount.

Note: Dimensions given are for reference only.

## Ordering information

To order a 25 kV Class (15.2/26.3 kV) Loadbreak Junction, refer to Table 4.

**Table 4. Loadbreak Junctions**

Number of Interfaces	Junction Only	Junction with U-Straps	Junction with Stainless Steel Bracket
2	LJ225C2	LJ225C2U	LJ225C2B
3	LJ225C3	LJ225C3U	LJ225C3B
4	LJ225C4	LJ225C4U	LJ225C4B

To order replacement parts and tools, refer to Table 5.

**Table 5. Replacement Parts**

Description	Catalog Number
U-Strap Kit with Hardware (1 strap)	2625439A17B
Stainless Steel Bracket Assembly (2-way)	2637160B01BS
Stainless Steel Bracket Assembly (3-way)	2637160B02BS
Stainless Steel Bracket ssembly (4-way)	2637160B03BS

Each kit contains:

- Loadbreak Junction (with mounting bracket or straps, depending on product ordered)
- Shipping Caps (not for energized operation)
- Installation Instruction Sheet

**Eaton**  
1000 Eaton Boulevard  
Cleveland, OH 44122  
United States  
Eaton.com

**Eaton's Cooper Power Systems Division**  
2300 Badger Drive  
Waukesha, WI 53188  
United States  
Eaton.com/cooperpowerseries

© 2015 Eaton  
All Rights Reserved  
Printed in USA  
Publication No. CA650081EN

Eaton is a registered trademark.

All other trademarks are property of their respective owners.

For Eaton's Cooper Power series product information call 1-877-277-4636 or visit: [www.eaton.com/cooperpowerseries](http://www.eaton.com/cooperpowerseries).