



# Complete Product Catalogue



**Cooper  
Power Systems**  
by **EATON**



*The complete cable management systems specialists*

DT Jointing Solutions is a supplier to the Utility, Contractor, Resource and OEM sector for all varieties of cable accessories.

Through our representation of only the highest quality manufacturers, intimate knowledge of the system / network requirements and service that cannot be beaten, DT Jointing Solutions offers a complete and professional package.

Our point of difference is a combination of:

- Our sole focus is cable jointing, terminating and cable management – We specialise
- Highest quality , tested and recognised products represented
- Pricing aimed to win your business
- Personal and customised service
- Stock available when you need it
- Experienced staff with strong Industry background

Offices are located in Melbourne, Australia & Wellington, New Zealand.





## Table of contents

About DT Jointing Solutions	2
Cooper Power Systems Screened Separable Connectors	9
200amp Interface A Pin Type Connectors	10
400amp Interface B Pin Type Connectors	14
630amp Interface C Bolted Type Connectors <i>Short Profile 22kV</i>	18
630amp Interface C Bolted Type Connectors <i>Symmetrical Profile 33kV</i>	23
1250amp Interface C Bolted Type Connectors <i>Short Profile 42kV</i>	27

## Table of contents—continued

200amp Loadbreak Type Connectors	32
22kV ANSI Type Connectors	37
33kV ANSI Type Connectors	40
Elcon Megarad Products Heatshrink & Coldshrink	43
11kV Heatshrink Terminations	44
22kV Heatshrink Terminations	49
33kV Heatshrink Terminations	54

## Table of contents—continued

11kV Coldshrink Terminations	59
22kV Coldshrink Terminations	62
33kV Coldshrink Terminations	65
11kV Heatshrink Joints	68
22kV Heatshrink Joints	71
33kV Heatshrink Joints	74
Right Angle Heatshrink Anti Tracking Boot Straight Heatshrink Anti Tracking Boot	77

## Table of contents—continued

Busbar Heatshrink Tubing—Medium Wall	78
Busbar Heatshrink Tubing—Heavy Wall	
AB Cable Accessories Products	79
Inner Cone Solutions	
INNEX Size 0	80
INNEX Size 1	81
INNEX Size 2	82
INNEX Size 3	83
INNEX Size 3Y	84

## Table of contents—continued

Speed Systems Products Tooling	<b>85</b>
Primary Insulation Removing Tool Semi Conductive Material Removal Pliers	<b>86</b>
Semi Conductive Material Scoring Tool	<b>87</b>
Primary Insulation Bevel / Chamfer Tool	<b>88</b>
Fulton Industries Products Good Earth Compound	<b>89</b>
Earth Rods and Clamps Busbar and C Connectors	<b>90</b>
Cable Clamps Polyamide	<b>91</b>

## Table of contents—continued

Cable Clamps Stainless Steel	<b>92</b>
Elcon Megarad LV Heatshrink— LV Heatshrink Tubing	<b>96</b>
Elcon Megarad LV Heatshrink—Breakout Gloves and End Caps	<b>97</b>
Elcon Megarad LV Heatshrink—Wrap Around Sleeve	<b>98</b>
Miscellaneous Products—Shear Holding Tool Miscellaneous Products—DTJS Jointers Tool Kit	<b>99</b>
Miscellaneous Products—Cable Cleaning Wipes Miscellaneous Products—Phase Clearance Boot	<b>100</b>
Miscellaneous Products Cable / Dropper Leads	<b>101</b>

## Separable Connectors

---

# Cooper Power Systems

by **EATON**

### History

Thomas Edison, the inventor of the incandescent light bulb, incorporated one of his original companies founded in 1910 with McGraw Electric Company in 1957 to form McGraw-Edison.

In 1985, McGraw-Edison became a part of the newly formed Cooper Power Systems.

Through various acquisitions and internal growth, Cooper Power Systems has become the leading manufacturer of one of the most complete lines of electrical distribution equipment in the world.

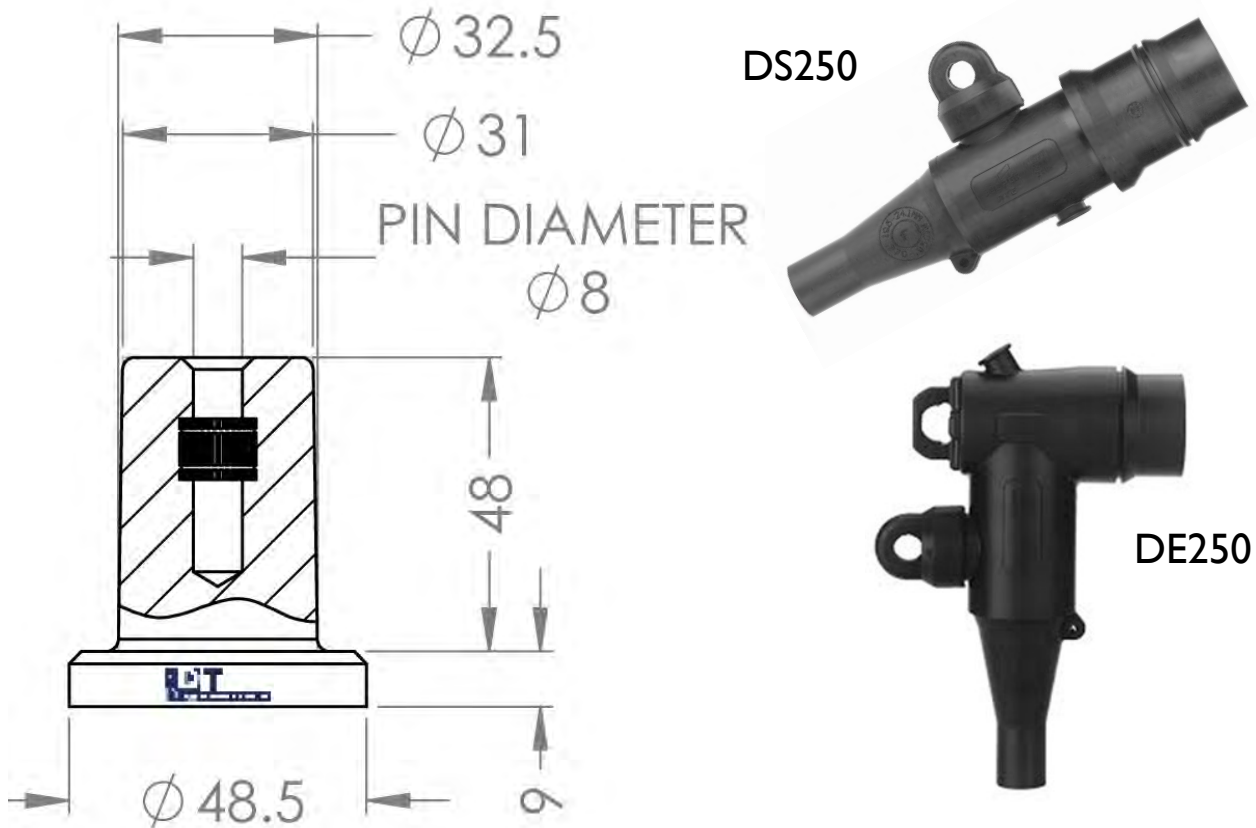
The Cooper name continues to be synonymous with innovation and quality, always staying true to Edison's mandate "there's a better way to do it".

### Current

November 2012, Eaton acquired Cooper Industries creating a premier global power management company named Eaton Corporation.

For DT Jointing Solutions and our representation of the Cooper separable connectors; it is business as usual

## 200amp Interface A Pin Type Deadbreak Profile



### APPLICATION

For connection of polymeric cable to transformers, switchgear, motors and other equipment with a pre-moulded separable connector.

For indoor and outdoor installations.

System voltage up to 24 kV.

Continuous current 250 A (300 A overload for 8 hours).

Cable particulars:

- Polymeric cable (XLPE, EPR, etc.)
- Copper or aluminium conductors
- Conductor size 11kV                      25-120mm<sup>2</sup>
- Conductor size 22kV                     35-120mm<sup>2</sup>

200amp Interface A Elbow

**DE250**

Selection Chart



**CONDUCTOR  
SIZE**

**DTJS  
KIT CODE**

**PRIMARY INSULATION  
RANGE**

25mm<sup>2</sup>

DE250-B-U25-S2

13.5—17.4mm

35mm<sup>2</sup>

DE250-B-U35-S2

13.5—17.4mm

11kV

50mm<sup>2</sup>

DE250-D-U50-S2

16.3—20.8mm

70mm<sup>2</sup>

DE250-D-U70-S2

16.3—20.8mm

95mm<sup>2</sup>

DE250-D-U95-S4

16.3—20.8mm

120mm<sup>2</sup>

DE250-F-U120-S4

19.6—24.1mm

**CONDUCTOR  
SIZE**

**DTJS  
KIT CODE**

**PRIMARY INSULATION  
RANGE**

35mm<sup>2</sup>

DE250-D-U35-S4

16.3—20.8mm

50mm<sup>2</sup>

DE250-F-U50-S4

19.6—24.1mm

22kV

70mm<sup>2</sup>

DE250-F-U70-S4

19.6—24.1mm

95mm<sup>2</sup>

DE250-H-U95-S4

23.1—28.7mm

120mm<sup>2</sup>

DE250-H-U120-S6

23.1—28.7mm

**200amp Interface A Straight Connector**

**DS250**

**Selection Chart**



**CONDUCTOR**  
**SIZE**

**DTJS**  
**KIT CODE**

**PRIMARY INSULATION**  
**RANGE**

25mm<sup>2</sup>

DS250-B-U25-S2

13.5—17.4mm

35mm<sup>2</sup>

DS250-B-U35-S2

13.5—17.4mm

11kV

50mm<sup>2</sup>

DS250-D-U50-S2

16.3—20.8mm

70mm<sup>2</sup>

DS250-D-U70-S2

16.3—20.8mm

95mm<sup>2</sup>

DS250-D-U95-S4

16.3—20.8mm

120mm<sup>2</sup>

DS250-F-U120-S4

19.6—24.1mm

**CONDUCTOR**  
**SIZE**

**DTJS**  
**KIT CODE**

**PRIMARY INSULATION**  
**RANGE**

35mm<sup>2</sup>

DS250-D-U35-S4

16.3—20.8mm

50mm<sup>2</sup>

DS250-F-U50-S4

19.6—24.1mm

22kV

70mm<sup>2</sup>

DS250-F-U70-S4

19.6—24.1mm

95mm<sup>2</sup>

DS250-H-U95-S4

23.1—28.7mm

120mm<sup>2</sup>

DS250-H-U120-S6

23.1—28.7mm

200amp Interface A  
**Accessories Available**



DJ250-T1



DJ250-4



DJ250-T2



BW150F



DRC250



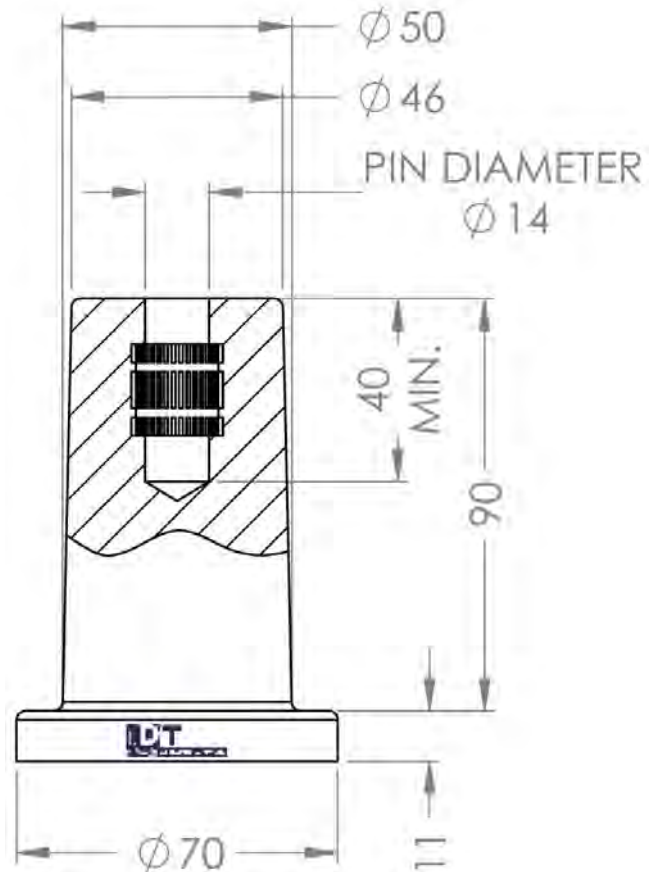
DPS250



DPD250

*Other accessories  
also available to suit  
this profile.*

## 400amp Interface B Pin Type Deadbreak Profile



### APPLICATION

For connection of polymeric cable to transformers, switchgear, motors and other equipment with a pre-moulded separable connector.

For indoor and outdoor installations.

System voltage up to 36 kV.

Continuous current 400A (600 A overload for 8 hours).

Cable particulars:

- Polymeric cable (XLPE, EPR, etc.)
- Copper or aluminium conductors
- Conductor size 11kV                      25-400mm<sup>2</sup>
- Conductor size 22kV                      35-400mm<sup>2</sup>
- Conductor size 33kV                      50-300mm<sup>2</sup>

**400amp Interface B Elbow Connector**

**DE436**

**Selection Chart**



**11kV**

**CONDUCTOR**

**DTJS**

**PRIMARY INSULATION**

**SIZE**

**KIT CODE**

**RANGE**

25mm <sup>2</sup>	DE436-AA-U25-S4	13.5—17.2mm
35mm <sup>2</sup>	DE436-AA-U35-S4	13.5—17.2mm
50mm <sup>2</sup>	DE436-AA-U50-S4	13.5—17.2mm
70mm <sup>2</sup>	DE436-A-U70-S4	16.3—19.3mm
95mm <sup>2</sup>	DE436-B-U95-S4	18.3—21.0mm
120mm <sup>2</sup>	DE436-C-U120-S4	20.0—24.1mm
150mm <sup>2</sup>	DE436-C-U150-S4	20.0—24.1mm
185mm <sup>2</sup>	DE436-D-U185-S4	23.1—27.0mm
240mm <sup>2</sup>	DE436-E-U240-S6	24.9—29.0mm
300mm <sup>2</sup>	DE436-F-U300-S6	27.7—32.6mm
400mm <sup>2</sup>	DE436-G-U400-S6	30.9—36.2mm

Notes;

**400amp Interface B Elbow Connector**

**DE436**

**Selection Chart—Continued**



**22kV**

**CONDUCTOR  
SIZE**

**DTJS  
KIT CODE**

**PRIMARY INSULATION  
RANGE**

35mm <sup>2</sup>	DE436-B-U35-S4	18.3—21.0mm
50mm <sup>2</sup>	DE436-C-U50-S4	20.0—24.1mm
70mm <sup>2</sup>	DE436-C-U70-S4	20.0—24.1mm
95mm <sup>2</sup>	DE436-D-U95-S4	23.1—27.0mm
120mm <sup>2</sup>	DE436-E-U120-S6	24.9—29.0mm
150mm <sup>2</sup>	DE436-E-U150-S6	24.9—29.0mm
185mm <sup>2</sup>	DE436-F-U185-S6	27.7—32.6mm
240mm <sup>2</sup>	DE436-F-U240-S6	27.7—32.6mm
300mm <sup>2</sup>	DE436-G-U300-S6	30.9—36.2mm
400mm <sup>2</sup>	DE436-H-U400-S8	34.0—39.5mm

Notes;

**400amp Interface B Elbow Connector**

**DE436**

**Selection Chart—Continued**



**33kV**

**CONDUCTOR  
SIZE**

**DTJS  
KIT CODE**

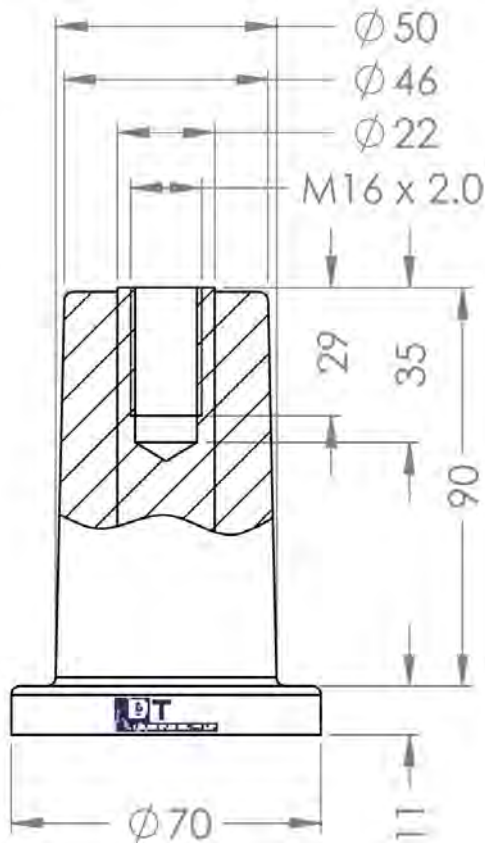
**PRIMARY INSULATION  
RANGE**

50mm <sup>2</sup>	DE436-E-U50-S4	24.9—29.0mm
70mm <sup>2</sup>	DE436-E-U70-S6	24.9—29.0mm
95mm <sup>2</sup>	DE436-F-U95-S6	27.7—32.6mm
120mm <sup>2</sup>	DE436-F-U120-S6	27.7—32.6mm
150mm <sup>2</sup>	DE436-G-U150-S6	30.9—36.2mm
185mm <sup>2</sup>	DE436-G-U185-S8	30.9—36.2mm
240mm <sup>2</sup>	DE436-H-U240-S8	34.0—39.5mm
300mm <sup>2</sup>	DE436-H-U300-S8	34.0—39.5mm

Notes;

*Other accessories  
also available to suit  
this profile.*

630amp Interface C Bolted Type Deadbreak Profile  
11kV to 22kV Short Profile



DTS624



DTB624

**APPLICATION**

For connection of polymeric cable to transformers, switchgear, motors and other equipment with a pre-moulded separable connector.

For indoor and outdoor installations.

System voltage up to 24kV.

Continuous current 630A (900 A overload for 8 hours).

Cable particulars:

- Polymeric cable (XLPE, EPR, etc.)
- Copper or aluminium conductors
- Conductor size 11kV                      25-400mm<sup>2</sup>
- Conductor size 22kV                      35-400mm<sup>2</sup>

630amp Interface C Elbow Connector

**DTS624**

Selection Chart



11kV

**CONDUCTOR**

**DTJS**

**PRIMARY INSULATION**

**SIZE**

**KIT CODE**

**RANGE**

25mm <sup>2</sup>	DTS624-AA-SB25-S4	13.5—17.2mm
35mm <sup>2</sup>	DTS624-AA-SB35-S4	13.5—17.2mm
50mm <sup>2</sup>	DTS624-AA-SB50-S4	13.5—17.2mm
70mm <sup>2</sup>	DTS624-A-SB70-S4	16.3—19.3mm
95mm <sup>2</sup>	DTS624-B-SB95-S4	18.3—21.0mm
120mm <sup>2</sup>	DTS624-C-SB120-S4	20.0—24.1mm
150mm <sup>2</sup>	DTS624-C-SB150-S4	20.0—24.1mm
185mm <sup>2</sup>	DTS624-D-SB185-S4	23.1—27.0mm
240mm <sup>2</sup>	DTS624-E-SB240-S6	24.9—29.0mm
300mm <sup>2</sup>	DTS624-F-SB300-S6	27.7—32.6mm
400mm <sup>2</sup>	DTS624-G-SB400-S6	30.9—36.2mm

Notes;

630amp Interface C Elbow Connector

**DTS624**

Selection Chart



22kV

**CONDUCTOR**

**DTJS**

**PRIMARY INSULATION**

**SIZE**

**KIT CODE**

**RANGE**

35mm <sup>2</sup>	DTS624-B-SB35-S4	18.3—21.0mm
50mm <sup>2</sup>	DTS624-C-SB50-S4	20.0—24.1mm
70mm <sup>2</sup>	DTS624-C-SB70-S4	20.0—24.1mm
95mm <sup>2</sup>	DTS624-D-SB95-S4	23.1—27.0mm
120mm <sup>2</sup>	DTS624-E-SB120-S6	24.9—29.0mm
150mm <sup>2</sup>	DTS624-E-SB150-S6	24.9—29.0mm
185mm <sup>2</sup>	DTS624-F-SB185-S6	27.7—32.6mm
240mm <sup>2</sup>	DTS624-F-SB240-S6	27.7—32.6mm
300mm <sup>2</sup>	DTS624-G-SB300-S6	30.9—36.2mm
400mm <sup>2</sup>	DTS624-H-SB400-S8	34.0—39.5mm

Notes;

630amp Interface C Piggy Back Connector

**DTB624**

Selection Chart



11kV

**CONDUCTOR**

**DTJS**

**PRIMARY INSULATION**

**SIZE**

**KIT CODE**

**RANGE**

25mm <sup>2</sup>	DTB624-AA-SB25-S4	13.5—17.2mm
35mm <sup>2</sup>	DTB624-AA-SB35-S4	13.5—17.2mm
50mm <sup>2</sup>	DTB624-AA-SB50-S4	13.5—17.2mm
70mm <sup>2</sup>	DTB624-A-SB70-S4	16.3—19.3mm
95mm <sup>2</sup>	DTB624-B-SB95-S4	18.3—21.0mm
120mm <sup>2</sup>	DTB624-C-SB120-S4	20.0—24.1mm
150mm <sup>2</sup>	DTB624-C-SB150-S4	20.0—24.1mm
185mm <sup>2</sup>	DTB624-D-SB185-S4	23.1—27.0mm
240mm <sup>2</sup>	DTB624-E-SB240-S6	24.9—29.0mm
300mm <sup>2</sup>	DTB624-F-SB300-S6	27.7—32.6mm
400mm <sup>2</sup>	DTB624-G-SB400-S6	30.9—36.2mm

Notes;

630amp Interface C Piggy Back Connector

**DTB624**

Selection Chart



22kV

**CONDUCTOR**

**DTJS**

**PRIMARY INSULATION**

**SIZE**

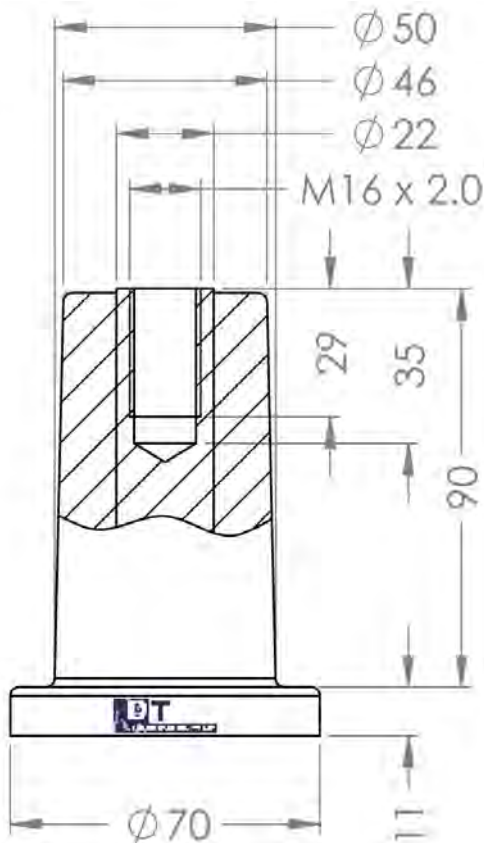
**KIT CODE**

**RANGE**

35mm <sup>2</sup>	DTB624-B-SB35-S4	18.3—21.0mm
50mm <sup>2</sup>	DTB624-C-SB50-S4	20.0—24.1mm
70mm <sup>2</sup>	DTB624-C-SB70-S4	20.0—24.1mm
95mm <sup>2</sup>	DTB624-D-SB95-S4	23.1—27.0mm
120mm <sup>2</sup>	DTB624-E-SB120-S6	24.9—29.0mm
150mm <sup>2</sup>	DTB624-E-SB150-S6	24.9—29.0mm
185mm <sup>2</sup>	DTB624-F-SB185-S6	27.7—32.6mm
240mm <sup>2</sup>	DTB624-F-SB240-S6	27.7—32.6mm
300mm <sup>2</sup>	DTB624-G-SB300-S6	30.9—36.2mm
400mm <sup>2</sup>	DTB624-H-SB400-S8	34.0—39.5mm

Notes;

## 630amp Interface C Bolted Type Deadbreak Profile



DT436

### APPLICATION

For connection of polymeric cable to transformers, switchgear, motors and other equipment with a pre-moulded separable connector.

For indoor and outdoor installations.

System voltage up to 36kV.

Continuous current 630A (900 A overload for 8 hours).

Cable particulars:

- Polymeric cable (XLPE, EPR, etc.)
- Copper or aluminium conductors
- Conductor size 11kV                      25-400mm<sup>2</sup>
- Conductor size 22kV                     35-400mm<sup>2</sup>
- Conductor size 33kV                     50-300mm<sup>2</sup>

**630amp Interface C Elbow Connector**

**DT436**

**Selection Chart**



**11kV**

**CONDUCTOR**

**DTJS**

**PRIMARY INSULATION**

**SIZE**

**KIT CODE**

**RANGE**

25mm <sup>2</sup>	DT436-AA-SB25-S4	13.5—17.2mm
35mm <sup>2</sup>	DT436-AA-SB35-S4	13.5—17.2mm
50mm <sup>2</sup>	DT436-AA-SB50-S4	13.5—17.2mm
70mm <sup>2</sup>	DT436-A-SB70-S4	16.3—19.3mm
95mm <sup>2</sup>	DT436-B-SB95-S4	18.3—21.0mm
120mm <sup>2</sup>	DT436-C-SB120-S4	20.0—24.1mm
150mm <sup>2</sup>	DT436-C-SB150-S4	20.0—24.1mm
185mm <sup>2</sup>	DT436-D-SB185-S4	23.1—27.0mm
240mm <sup>2</sup>	DT436-E-SB240-S6	24.9—29.0mm
300mm <sup>2</sup>	DT436-F-SB300-S6	27.7—32.6mm
400mm <sup>2</sup>	DT436-G-SB400-S6	30.9—36.2mm

Notes;

**630amp Interface C Elbow Connector**

**DT436**

**Selection Chart**



**22kV**

**CONDUCTOR**

**DTJS**

**PRIMARY INSULATION**

**SIZE**

**KIT CODE**

**RANGE**

35mm <sup>2</sup>	DT436-B-SB35-S4	18.3—21.0mm
50mm <sup>2</sup>	DT436-C-SB50-S4	20.0—24.1mm
70mm <sup>2</sup>	DT436-C-SB70-S4	20.0—24.1mm
95mm <sup>2</sup>	DT436-D-SB95-S4	23.1—27.0mm
120mm <sup>2</sup>	DT436-E-SB120-S6	24.9—29.0mm
150mm <sup>2</sup>	DT436-E-SB150-S6	24.9—29.0mm
185mm <sup>2</sup>	DT436-F-SB185-S6	27.7—32.6mm
240mm <sup>2</sup>	DT436-F-SB240-S6	27.7—32.6mm
300mm <sup>2</sup>	DT436-G-SB300-S6	30.9—36.2mm
400mm <sup>2</sup>	DT436-H-SB400-S8	34.0—39.5mm

Notes;

**630amp Interface C Elbow Connector**

**DT436**

**Selection Chart**



**33kV**

**CONDUCTOR**

**DTJS**

**PRIMARY INSULATION**

**SIZE**

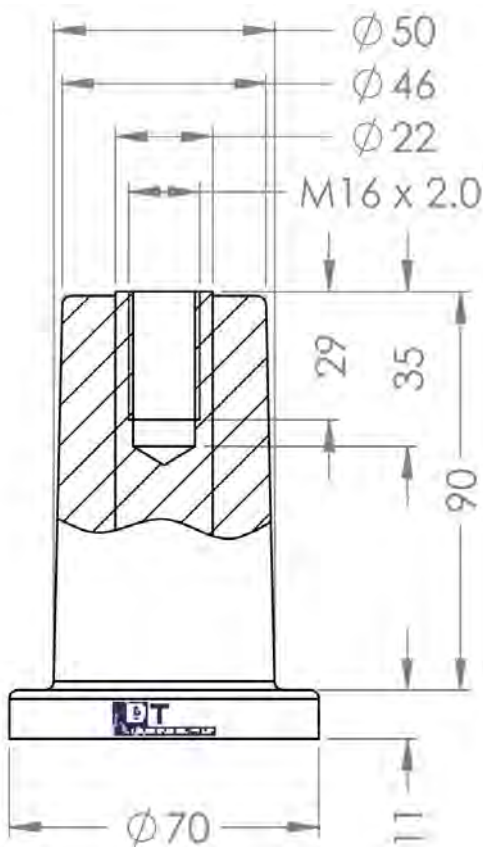
**KIT CODE**

**RANGE**

50mm <sup>2</sup>	DT436-E-SB50-S4	24.9—29.0mm
70mm <sup>2</sup>	DT436-E-SB70-S6	24.9—29.0mm
95mm <sup>2</sup>	DT436-F-SB95-S6	27.7—32.6mm
120mm <sup>2</sup>	DT436-F-SB120-S6	27.7—32.6mm
150mm <sup>2</sup>	DT436-G-SB150-S6	30.9—36.2mm
185mm <sup>2</sup>	DT436-G-SB185-S8	30.9—36.2mm
240mm <sup>2</sup>	DT436-H-SB240-S8	34.0—39.5mm
300mm <sup>2</sup>	DT436-H-SB300-S8	34.0—39.5mm

Notes;

## 1250amp Interface C Bolted Type Deadbreak Profile



DTSI242

DTBI242

### APPLICATION

For connection of polymeric cable to transformers, switchgear, motors and other equipment with a pre-moulded separable connector.

For indoor and outdoor installations.

System voltage up to 42kV.

Continuous current 1250A

Cable particulars:

- Polymeric cable (XLPE, EPR, etc.)
- Copper or aluminium conductors
- Conductor size 22kV                      240-800mm<sup>2</sup>
- Conductor size 33kV                      95-800mm<sup>2</sup>

**1250amp Interface C Elbow Connector**

**DTSI242**

**Selection Chart**



**22kV**

**CONDUCTOR**

**DTJS**

**PRIMARY INSULATION**

**SIZE**

**KIT CODE**

**RANGE**

240mm <sup>2</sup>	DTSI242-A-SB240-S	28.2—32.3mm
300mm <sup>2</sup>	DTSI242-B-SB300-S	31.1—35.7mm
400mm <sup>2</sup>	DTSI242-C-SB400-S	35.0—39.1mm
500mm <sup>2</sup>	DTSI242-D-SB500-S	37.2—41.6mm
630mm <sup>2</sup>	DTSI242-F-SB630-S	42.9—47.9mm
800mm <sup>2</sup>	DTSI242-G-SB800-S	46.5—51.9mm

Notes;

**1250amp Interface C Elbow Connector**

**DTSI242**

**Selection Chart**



**33kV**

**CONDUCTOR**

**DTJS**

**PRIMARY INSULATION**

**SIZE**

**KIT CODE**

**RANGE**

95mm <sup>2</sup>	DTSI242-A-SB95-S	28.2—32.3mm
120mm <sup>2</sup>	DTSI242-A-SB120-S	28.2—32.3mm
150mm <sup>2</sup>	DTSI242-B-SB150-S	31.1—35.7mm
185mm <sup>2</sup>	DTSI242-B-SB185-S	31.1—35.7mm
240mm <sup>2</sup>	DTSI242-C-SB240-S	35.0—39.1mm
300mm <sup>2</sup>	DTSI242-D-SB300-S	37.2—41.6mm
400mm <sup>2</sup>	DTSI242-E-SB400-S	40.1—44.8mm
500mm <sup>2</sup>	DTSI242-F-SB500-S	42.9—47.9mm
630mm <sup>2</sup>	DTSI242-G-SB630-S	46.5—51.9mm
800mm <sup>2</sup>	DTSI242-H-SB800-S	50.0—56.0mm

Notes;

**1250amp Interface C Piggy Back Connector**

**DTBI242**

**Selection Chart**



**22kV**

**CONDUCTOR**

**DTJS**

**PRIMARY INSULATION**

**SIZE**

**KIT CODE**

**RANGE**

240mm<sup>2</sup>

DTBI242-A-SB240-S

28.2—32.3mm

300mm<sup>2</sup>

DTBI242-B-SB300-S

31.1—35.7mm

400mm<sup>2</sup>

DTBI242-C-SB400-S

35.0—39.1mm

500mm<sup>2</sup>

DTBI242-D-SB500-S

37.2—41.6mm

630mm<sup>2</sup>

DTBI242-F-SB630-S

42.9—47.9mm

800mm<sup>2</sup>

DTBI242-G-SB800-S

46.5—51.9mm

Notes;



**1250amp Interface C Piggy Back Connector**

**DTBI242**

**Selection Chart**



**33kV**

**CONDUCTOR  
SIZE**

**DTJS  
KIT CODE**

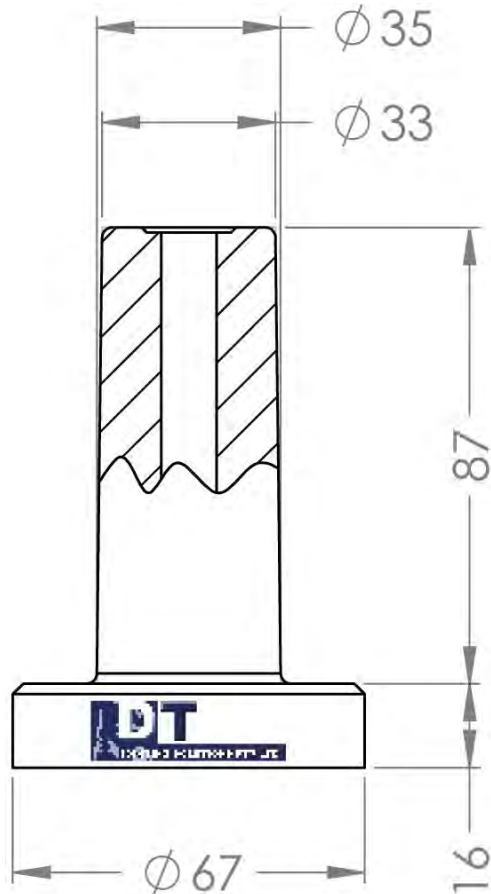
**PRIMARY INSULATION  
RANGE**

95mm <sup>2</sup>	DTBI242-A-SB95-S	28.2—32.3mm
120mm <sup>2</sup>	DTBI242-A-SB120-S	28.2—32.3mm
150mm <sup>2</sup>	DTBI242-B-SB150-S	31.1—35.7mm
185mm <sup>2</sup>	DTBI242-B-SB185-S	31.1—35.7mm
240mm <sup>2</sup>	DTBI242-C-SB240-S	35.0—39.1mm
300mm <sup>2</sup>	DTBI242-D-SB300-S	37.2—41.6mm
400mm <sup>2</sup>	DTBI242-E-SB400-S	40.1—44.8mm
500mm <sup>2</sup>	DTBI242-F-SB500-S	42.9—47.9mm
630mm <sup>2</sup>	DTBI242-G-SB630-S	46.5—51.9mm
800mm <sup>2</sup>	DTBI242-H-SB800-S	50.0—56.0mm

Notes;

*Other accessories  
also available to suit  
this profile.*

## 11kV 200amp Loadbreak Profile



### APPLICATION

For connection of polymeric cable to transformers, switchgear, motors and other equipment with a pre-moulded separable connector.

For indoor and outdoor installations.

System voltage up to 15kV.

Continuous current 200A

Cable particulars:

- Polymeric cable (XLPE, EPR, etc.)
- Copper or aluminium conductors
- Conductor size 11kV                      16mm-120mm<sup>2</sup>

200amp 11kV Loadbreak Elbow

**LEJ215**

Selection Chart



11kV

**CONDUCTOR  
SIZE**

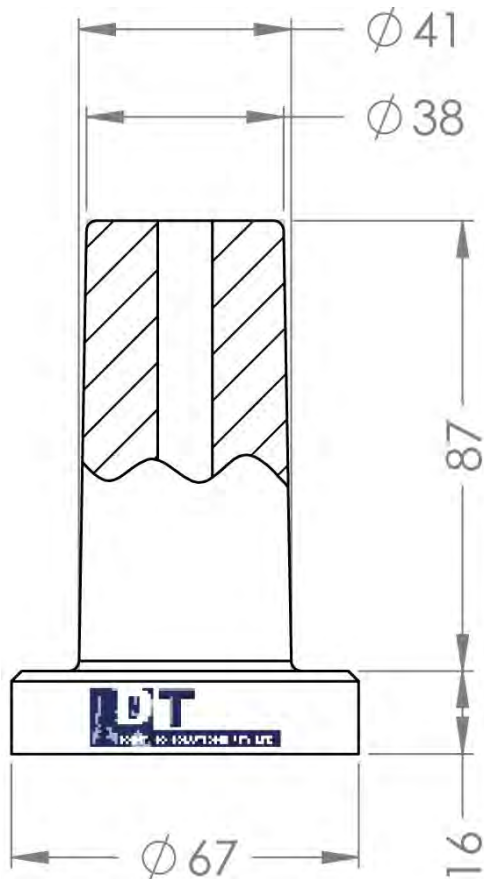
**DTJS  
KIT CODE**

**PRIMARY INSULATION  
RANGE**

16mm <sup>2</sup>	LEJ215-CCA-UI16	12.6—14.9mm
25mm <sup>2</sup>	LEJ215-CCA-U25	12.6—14.9mm
35mm <sup>2</sup>	LEJ215-CCB-U35	14.6—17.4mm
50mm <sup>2</sup>	LEJ215-AB-U50	15.5—24.6mm
70mm <sup>2</sup>	LEJ215-AB-U70	15.5—24.6mm
95mm <sup>2</sup>	LEJ215-AB-U95	15.5—24.6mm
120mm <sup>2</sup>	LEJ215-AB-UI20	15.5—24.6mm

Notes;

## 22kV 200amp Loadbreak Profile



### APPLICATION

For connection of polymeric cable to transformers, switchgear, motors and other equipment with a pre-moulded separable connector.

For indoor and outdoor installations.

System voltage up to 25kV.

Continuous current 200A

Cable particulars: – Polymeric cable (XLPE, EPR, etc.)

– Copper or aluminium conductors

– Conductor size 22kV

35mm-120mm<sup>2</sup>

200amp 22kV Loadbreak Elbow

**LEJ225**

Selection Chart



22kV

**CONDUCTOR**  
**SIZE**

**DTJS**  
**KIT CODE**

**PRIMARY INSULATION**  
**RANGE**

35mm <sup>2</sup>	LEJ225-AB-U35	15.5—24.6mm
50mm <sup>2</sup>	LEJ225-AB-U50	15.5—24.6mm
70mm <sup>2</sup>	LEJ225-AB-U70	15.5—24.6mm
95mm <sup>2</sup>	LEJ225-CC-U95	19.1—27.4mm
120mm <sup>2</sup>	LEJ225-CC-U120	19.1—27.4mm

Notes;

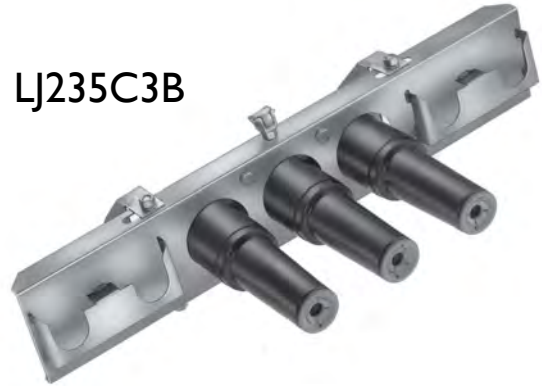
***Please contact DTJS directly in relation to the Cooper Power Systems 33kV Loadbreak range of products.***

200amp Loadbreak  
Accessories Available

LFI225



LJ235C3B



LPC215



LFI215



PLEA



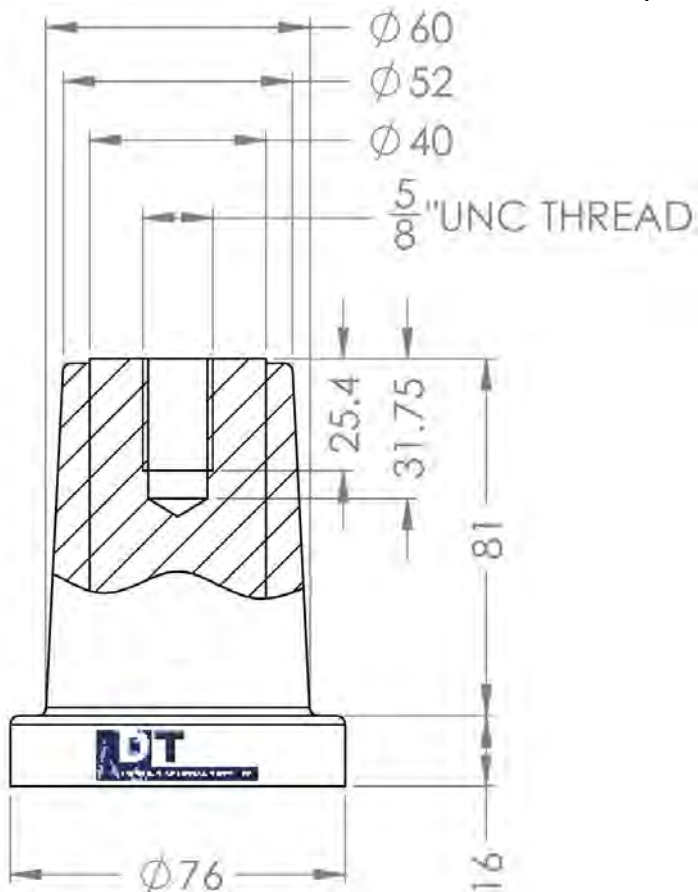
LBI225



ISB225

Other accessories  
also available to suit  
this profile.

## 600amp 22kV ANSI Type Deadbreak Profile



BT625

### APPLICATION

For connection of polymeric cable to transformers, switchgear, motors and other equipment with a pre-moulded separable connector.

For indoor and outdoor installations.

System voltage up to 25kV.

Continuous current 600A

Cable particulars:

- Polymeric cable (XLPE, EPR, etc.)
- Copper or aluminium conductors
- Conductor size 11kV                      50-630mm<sup>2</sup>
- Conductor size 22kV                      35-630mm<sup>2</sup>

600amp ANSI Type Elbow Connector

**BT625**

Selection Chart



11kV

**CONDUCTOR**

**DTJS**

**PRIMARY INSULATION**

**SIZE**

**KIT CODE**

**RANGE**

50mm <sup>2</sup>	BT625-AB-13U-AIT	15.5—24.6mm
70mm <sup>2</sup>	BT625-AB-14U-AIT	15.5—24.6mm
95mm <sup>2</sup>	BT625-AB-16U-AIT	15.5—24.6mm
120mm <sup>2</sup>	BT625-AB-17U-AIT	15.5—24.6mm
150mm <sup>2</sup>	BT625-CC-18U-AIT	19.1—27.4mm
185mm <sup>2</sup>	BT625-CC-20U-AIT	19.1—27.4mm
240mm <sup>2</sup>	BT625-DD-22U-AIT	24.6—33.3mm
300mm <sup>2</sup>	BT625-EE-23U-AIT	27.7—37.3mm
400mm <sup>2</sup>	BT625-EE-25U-AIT	27.7—37.3mm
500mm <sup>2</sup>	BT625-FF-27U-AIT	32.0—41.7mm
630mm <sup>2</sup>	BT625-GG-28U-AIT	34.5—43.4mm

Notes;

600amp ANSI Type Elbow Connector

**BT625**

Selection Chart



22kV

**CONDUCTOR**

**DTJS**

**PRIMARY INSULATION**

**SIZE**

**KIT CODE**

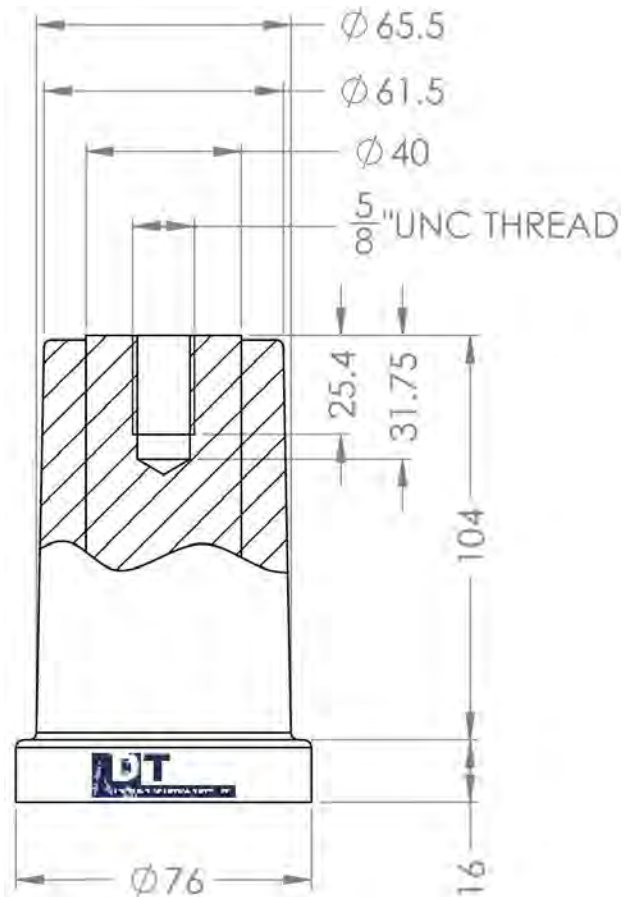
**RANGE**

35mm <sup>2</sup>	BT625-AB-11U-AIT	15.5—24.6mm
50mm <sup>2</sup>	BT625-CC-13U-AIT	19.1—27.4mm
70mm <sup>2</sup>	BT625-CC-14U-AIT	19.1—27.4mm
95mm <sup>2</sup>	BT625-CC-16U-AIT	19.1—27.4mm
120mm <sup>2</sup>	BT625-CC-17U-AIT	19.1—27.4mm
150mm <sup>2</sup>	BT625-DD-18U-AIT	24.6—33.3mm
185mm <sup>2</sup>	BT625-DD-20U-AIT	24.6—33.3mm
240mm <sup>2</sup>	BT625-EE-22U-AIT	27.7—37.3mm
300mm <sup>2</sup>	BT625-EE-23U-AIT	27.7—37.3mm
400mm <sup>2</sup>	BT625-FF-25U-AIT	32.0—41.7mm
500mm <sup>2</sup>	BT625-GG-27U-AIT	34.5—43.4mm
630mm <sup>2</sup>	BT625-HH-28U-AIT	38.4—47.0mm

Notes;

*Other accessories also available to suit this profile.*

## 600amp 33kV ANSI Type Deadbreak Profile



BT635



### APPLICATION

For connection of polymeric cable to transformers, switchgear, motors and other equipment with a pre-moulded separable connector.

For indoor and outdoor installations.

System voltage up to 35kV.

Continuous current 600A

Cable particulars:

- Polymeric cable (XLPE, EPR, etc.)
- Copper or aluminium conductors
- Conductor size 33kV                      50-630mm<sup>2</sup>

600amp ANSI Type Elbow Connector

**BT635**

Selection Chart



33kV

**CONDUCTOR**  
**SIZE**

**DTJS**  
**KIT CODE**

**PRIMARY INSULATION**  
**RANGE**

50mm <sup>2</sup>	BT635-DD-13U-AIT	24.6—33.3mm
70mm <sup>2</sup>	BT635-DD-14U-AIT	24.6—33.3mm
95mm <sup>2</sup>	BT635-EE-16U-AIT	27.7—37.3mm
120mm <sup>2</sup>	BT635-EE-17U-AIT	27.7—37.3mm
150mm <sup>2</sup>	BT635-EE-18U-AIT	27.7—37.3mm
185mm <sup>2</sup>	BT635-EE-20U-AIT	27.7—37.3mm
240mm <sup>2</sup>	BT635-FF-22U-AIT	32.0—41.7mm
300mm <sup>2</sup>	BT635-GG-23U-AIT	34.5—43.4mm
400mm <sup>2</sup>	BT635-HH-25U-AIT	38.4—47.0mm
500mm <sup>2</sup>	BT635-HH-27U-AIT	38.4—47.0mm
630mm <sup>2</sup>	BT635-JJ-28U-AIT	43.2—50.0mm

Notes;

*Other accessories also available to suit this profile.*

600amp ANSI Type Elbow Connector

**BT638**

Selection Chart



**33kV — 200kV BIL**

**CONDUCTOR**

**DTJS**

**PRIMARY INSULATION**

**SIZE**

**KIT CODE**

**RANGE**

50mm <sup>2</sup>	BT638-DD-13U-AIT	24.6—33.3mm
70mm <sup>2</sup>	BT638-DD-14U-AIT	24.6—33.3mm
95mm <sup>2</sup>	BT638-EE-16U-AIT	27.7—37.3mm
120mm <sup>2</sup>	BT638-EE-17U-AIT	27.7—37.3mm
150mm <sup>2</sup>	BT638-EE-18U-AIT	27.7—37.3mm
185mm <sup>2</sup>	BT638-EE-20U-AIT	27.7—37.3mm
240mm <sup>2</sup>	BT638-FF-22U-AIT	32.0—41.7mm
300mm <sup>2</sup>	BT638-GG-23U-AIT	34.5—43.4mm
400mm <sup>2</sup>	BT638-HH-25U-AIT	38.4—47.0mm
500mm <sup>2</sup>	BT638-HH-27U-AIT	38.4—47.0mm
630mm <sup>2</sup>	BT638-JJ-28U-AIT	43.2—50.0mm

Notes;

*Other accessories also available to suit this profile.*

# Heatshrink & Coldshrink Joints & Terminations



## History

Elcon and Megarad were both founded in the early 80's in Italy.

Elcon Megarad was established in 2002 by the two companies, Elcon and Megarad merging.

Both companies were successful manufacturers in their own right, however combined they are now a global low and medium cable accessories leader, specializing in heatshrink joints and terminations as well as coldshrink joints and terminations to suit the Lv and MV markets around the world.

## Current

Since 2011, DT Jointing Solutions has worked tirelessly with Elcon Megarad to ensure the kits provided into the Australian and New Zealand markets meet the expectations of network engineers, project managers and cable jointers alike with regards to composition, ease of installation and adaptability to our way of working.

DT Jointing Solutions continues to assist with improving and adapting this vast range to suit our market and provide much needed high quality competition into the Australian and New Zealand markets.

## 11kV Heatshrink Terminations



### **APPLICATION**

For connection of polymeric cable to transformers, switchgear, motors and other equipment requiring a live line connection.

For indoor and outdoor installations, Single Core and Three Core.

Designed for XLPE or EPR with CWS—Can be adapted to CTS.

System voltage up to 12kV.

Kits supplied standard with

- ⇒ Three terminations per kit
- ⇒ MV Sicon Shear Lugs
- ⇒ LV Crimp Lugs



# 11kV Single Core Indoor Termination

<b>CONDUCTOR SIZE</b>	<b>DTJS KIT CODE</b>	<b>TERMINATION LENGTH</b>
35mm <sup>2</sup>	TISI282AUR 3XIX35-70	350mm Long
50mm <sup>2</sup>	TISI282AUR 3XIX35-70	350mm Long
70mm <sup>2</sup>	TISI282AUR 3XIX35-70	350mm Long
95mm <sup>2</sup>	TISI282AUR 3XIX95-240	350mm Long
120mm <sup>2</sup>	TISI282AUR 3XIX95-240	350mm Long
150mm <sup>2</sup>	TISI282AUR 3XIX95-240	350mm Long
185mm <sup>2</sup>	TISI282AUR 3XIX95-240	350mm Long
240mm <sup>2</sup>	TISI282AUR 3XIX95-240	350mm Long
300mm <sup>2</sup>	TISI282AUR 3XIX300	450mm Long
400mm <sup>2</sup>	TISI282AUR 3XIX300-630	450mm Long
500mm <sup>2</sup>	TISI282AUR 3XIX300-630	450mm Long
630mm <sup>2</sup>	TISI282AUR 3XIX300-630	450mm Long
1000mm <sup>2</sup>	TISI282AUR 3XIX1000	500mm Long

Notes;

*Other specialised kits  
also available.*



# 11kV Single Core Outdoor Termination

<b>CONDUCTOR SIZE</b>	<b>DTJS KIT CODE</b>	<b>TERMINATION LENGTH</b>
35mm <sup>2</sup>	TESI284AUR 3XIX35-70	350mm Long
50mm <sup>2</sup>	TESI284AUR 3XIX35-70	350mm Long
70mm <sup>2</sup>	TESI284AUR 3XIX35-70	350mm Long
95mm <sup>2</sup>	TESI284AUR 3XIX95-240	350mm Long
120mm <sup>2</sup>	TESI284AUR 3XIX95-240	350mm Long
150mm <sup>2</sup>	TESI284AUR 3XIX95-240	350mm Long
185mm <sup>2</sup>	TESI284AUR 3XIX95-240	350mm Long
240mm <sup>2</sup>	TESI284AUR 3XIX95-240	350mm Long
300mm <sup>2</sup>	TESI284AUR 3XIX300	450mm Long
400mm <sup>2</sup>	TESI284AUR 3XIX300-630	450mm Long
500mm <sup>2</sup>	TESI284AUR 3XIX300-630	450mm Long
630mm <sup>2</sup>	TESI284AUR 3XIX300-630	450mm Long

Notes;

*Other specialised kits  
also available.*



# 11kV Three Core Indoor Termination

<b>CONDUCTOR SIZE</b>	<b>DTJS KIT CODE</b>	<b>JACKET REMOVAL</b>
25mm <sup>2</sup>	TISI282AUKR 3X25-95	700mm
35mm <sup>2</sup>	TISI282AUKR 3X25-95	700mm
50mm <sup>2</sup>	TISI282AUKR 3X25-95	700mm
70mm <sup>2</sup>	TISI282AUKR 3X25-95	700mm
95mm <sup>2</sup>	TISI282AUKR 3X25-95	700mm
120mm <sup>2</sup>	TISI282AUKR 3X95-240	700mm
150mm <sup>2</sup>	TISI282AUKR 3X95-240	700mm
185mm <sup>2</sup>	TISI282AUKR 3X95-240	700mm
240mm <sup>2</sup>	TISI282AUKR 3X95-240	700mm
300mm <sup>2</sup>	TISI282AUKR 3X300	700mm
400mm <sup>2</sup>	TISI282AUKR 3X300-630	700mm
500mm <sup>2</sup>	TISI282AUKR 3X300-630	700mm
630mm <sup>2</sup>	TISI282AUKR 3X300-630	700mm

Notes;



*Other specialised kits  
also available.*

# 11kV Three Core Outdoor Termination

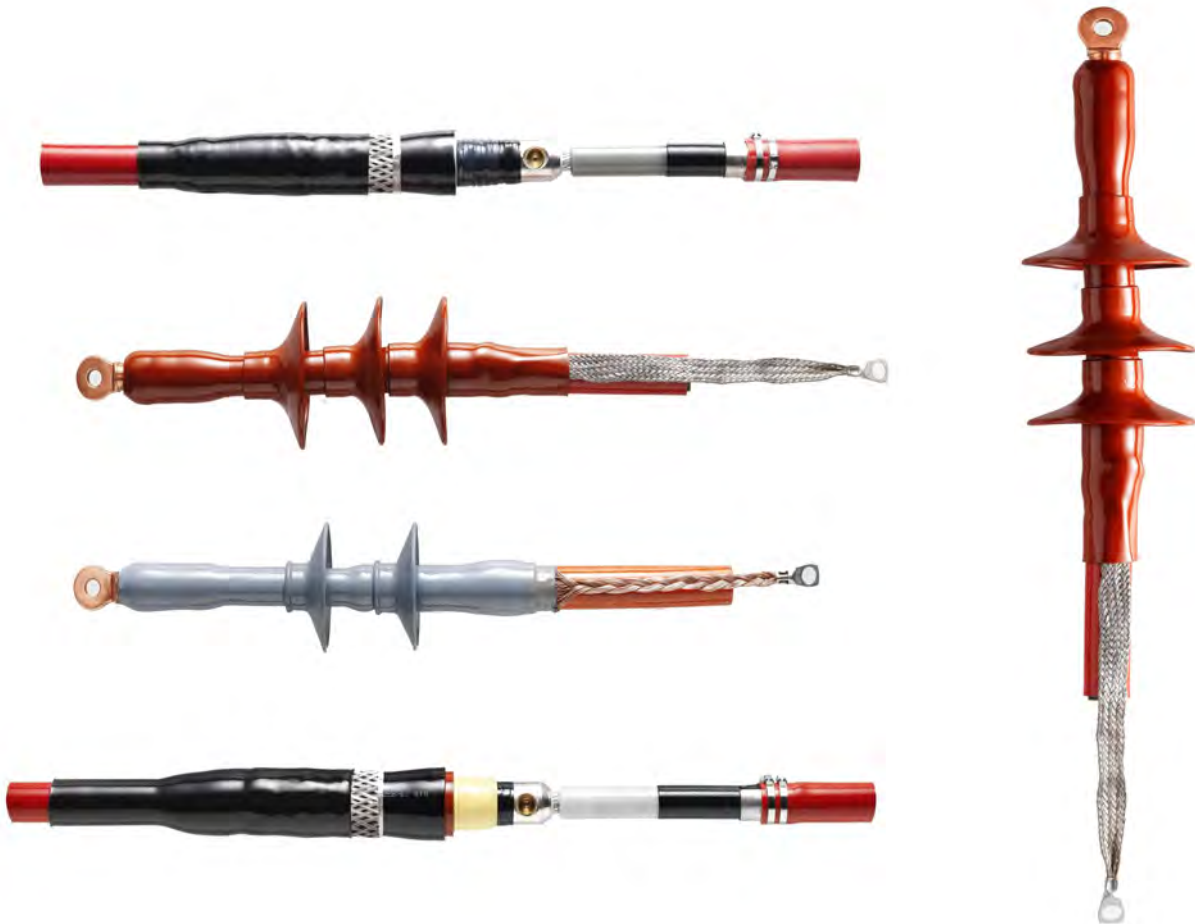
<b>CONDUCTOR SIZE</b>	<b>DTJS KIT CODE</b>	<b>JACKET REMOVAL</b>
25mm <sup>2</sup>	TESI284AUKR 3X25-95	900mm
35mm <sup>2</sup>	TESI284AUKR 3X25-95	900mm
50mm <sup>2</sup>	TESI284AUKR 3X25-95	900mm
70mm <sup>2</sup>	TESI284AUKR 3X25-95	900mm
95mm <sup>2</sup>	TESI284AUKR 3X25-95	900mm
120mm <sup>2</sup>	TESI284AUKR 3X95-240	900mm
150mm <sup>2</sup>	TESI284AUKR 3X95-240	900mm
185mm <sup>2</sup>	TESI284AUKR 3X95-240	900mm
240mm <sup>2</sup>	TESI284AUKR 3X95-240	900mm
300mm <sup>2</sup>	TESI284AUKR 3X300	900mm
400mm <sup>2</sup>	TESI284AUKR 3X300-630	900mm
500mm <sup>2</sup>	TESI284AUKR 3X300-630	900mm
630mm <sup>2</sup>	TESI284AUKR 3X300-630	900mm

Notes;



*Other specialised kits  
also available.*

## 22kV Heatshrink Terminations



### APPLICATION

For connection of polymeric cable to transformers, switchgear, motors and other equipment requiring a live line connection.

For indoor and outdoor installations, Single Core and Three Core.

Designed for XLPE or EPR with CWS—Can be adapted to CTS.

System voltage up to 24kV.

Kits supplied standard with

- ⇒ Three terminations per kit
- ⇒ MV Sicon Shear Lugs
- ⇒ LV Crimp Lugs



# 22kV Single Core Indoor Termination

<b>CONDUCTOR SIZE</b>	<b>DTJS KIT CODE</b>	<b>TERMINATION LENGTH</b>
35mm <sup>2</sup>	TIS2482AUR 3XIX35-95	Units from 350mm Long Through to 500mm Long Available  550mm Long 550mm Long 550mm Long 550mm Long
50mm <sup>2</sup>	TIS2482AUR 3XIX35-95	
70mm <sup>2</sup>	TIS2482AUR 3XIX35-95	
95mm <sup>2</sup>	TIS2482AUR 3XIX35-95	
120mm <sup>2</sup>	TIS2482AUR 3XIX95-240	
150mm <sup>2</sup>	TIS2482AUR 3XIX95-240	
185mm <sup>2</sup>	TIS2482AUR 3XIX95-240	
240mm <sup>2</sup>	TIS2482AUR 3XIX95-240	
300mm <sup>2</sup>	TIS2482AUR 3XIX300	
400mm <sup>2</sup>	TIS2482AUR 3XIX300-630	
500mm <sup>2</sup>	TIS2482AUR 3XIX300-630	
630mm <sup>2</sup>	TIS2482AUR 3XIX300-630	

Notes;



*Other specialised kits  
also available.*

# 22kV Single Core Outdoor Termination

<b>CONDUCTOR SIZE</b>	<b>DTJS KIT CODE</b>	<b>TERMINATION LENGTH</b>
35mm <sup>2</sup>	TES2484AUR 3XIX35-95	500mm Long
50mm <sup>2</sup>	TES2484AUR 3XIX35-95	500mm Long
70mm <sup>2</sup>	TES2484AUR 3XIX35-95	500mm Long
95mm <sup>2</sup>	TES2484AUR 3XIX35-95	500mm Long
120mm <sup>2</sup>	TES2484AUR 3XIX95-240	500mm Long
150mm <sup>2</sup>	TES2484AUR 3XIX95-240	500mm Long
185mm <sup>2</sup>	TES2484AUR 3XIX95-240	500mm Long
240mm <sup>2</sup>	TES2484AUR 3XIX95-240	500mm Long
300mm <sup>2</sup>	TES2484AUR 3XIX300	550mm Long
400mm <sup>2</sup>	TES2484AUR 3XIX300-630	550mm Long
500mm <sup>2</sup>	TES2484AUR 3XIX300-630	550mm Long
630mm <sup>2</sup>	TES2484AUR 3XIX300-630	550mm Long

Notes;



*Other specialised kits  
also available.*

# 22kV Three Core Indoor Termination

<b>CONDUCTOR SIZE</b>	<b>DTJS KIT CODE</b>	<b>JACKET REMOVAL</b>
25mm <sup>2</sup>	TIS2482AUKR 3X25-95	700mm
35mm <sup>2</sup>	TIS2482AUKR 3X25-95	700mm
50mm <sup>2</sup>	TIS2482AUKR 3X25-95	700mm
70mm <sup>2</sup>	TIS2482AUKR 3X25-95	700mm
95mm <sup>2</sup>	TIS2482AUKR 3X25-95	700mm
120mm <sup>2</sup>	TIS2482AUKR 3X95-240	700mm
150mm <sup>2</sup>	TIS2482AUKR 3X95-240	700mm
185mm <sup>2</sup>	TIS2482AUKR 3X95-240	700mm
240mm <sup>2</sup>	TIS2482AUKR 3X95-240	700mm
300mm <sup>2</sup>	TIS2482AUKR 3X300	700mm
400mm <sup>2</sup>	TIS2482AUKR 3X300-630	700mm
500mm <sup>2</sup>	TIS2482AUKR 3X300-630	700mm
630mm <sup>2</sup>	TIS2482AUKR 3X300-630	700mm

Notes;



*Other specialised kits  
also available.*

# 22kV Three Core Outdoor Termination

<b>CONDUCTOR SIZE</b>	<b>DTJS KIT CODE</b>	<b>JACKET REMOVAL</b>
25mm <sup>2</sup>	TES2484AUKR 3X25-95	900mm
35mm <sup>2</sup>	TES2484AUKR 3X25-95	900mm
50mm <sup>2</sup>	TES2484AUKR 3X25-95	900mm
70mm <sup>2</sup>	TES2484AUKR 3X25-95	900mm
95mm <sup>2</sup>	TES2484AUKR 3X25-95	900mm
120mm <sup>2</sup>	TES2484AUKR 3X95-240	900mm
150mm <sup>2</sup>	TES2484AUKR 3X95-240	900mm
185mm <sup>2</sup>	TES2484AUKR 3X95-240	900mm
240mm <sup>2</sup>	TES2484AUKR 3X95-240	900mm
300mm <sup>2</sup>	TES2484AUKR 3X300	900mm
400mm <sup>2</sup>	TES2484AUKR 3X300-630	900mm
500mm <sup>2</sup>	TES2484AUKR 3X300-630	900mm
630mm <sup>2</sup>	TES2484AUKR 3X300-630	900mm

Notes;

*Other specialised kits also available.*



## 33kV Heatshrink Terminations



### **APPLICATION**

For connection of polymeric cable to transformers, switchgear, motors and other equipment requiring a live line connection.

For indoor and outdoor installations, Single Core and Three Core.

Designed for XLPE or EPR with CWS—Can be adapted to CTS.

System voltage up to 36kV.

Kits supplied standard with

- ⇒ Three terminations per kit
- ⇒ MV Sicon Shear Lugs
- ⇒ LV Crimp Lugs



# 33kV Single Core Indoor Termination

<b>CONDUCTOR SIZE</b>	<b>DTJS KIT CODE</b>	<b>TERMINATION LENGTH</b>
35mm <sup>2</sup>	TIS3682AUR 3XIX35-70	600mm Long
50mm <sup>2</sup>	TIS3682AUR 3XIX50-95	600mm Long
70mm <sup>2</sup>	TIS3682AUR 3XIX50-95	600mm Long
95mm <sup>2</sup>	TIS3682AUR 3XIX50-95	600mm Long
120mm <sup>2</sup>	TIS3682AUR 3XIX95-240	600mm Long
150mm <sup>2</sup>	TIS3682AUR 3XIX95-240	600mm Long
185mm <sup>2</sup>	TIS3682AUR 3XIX95-240	600mm Long
240mm <sup>2</sup>	TIS3682AUR 3XIX95-240	600mm Long
300mm <sup>2</sup>	TIS3682AUR 3XIX300	650mm Long
400mm <sup>2</sup>	TIS3682AUR 3XIX300-630	650mm Long
500mm <sup>2</sup>	TIS3682AUR 3XIX300-630	650mm Long
630mm <sup>2</sup>	TIS3682AUR 3XIX300-630	650mm Long
800mm <sup>2</sup>	TIS3682AUR 3XIX800-1000	700mm Long
1000mm <sup>2</sup>	TIS3682AUR 3XIX800-1000	700mm Long



Notes;

*Other specialised kits  
also available.*

# 33kV Single Core Outdoor Termination

<b>CONDUCTOR SIZE</b>	<b>DTJS KIT CODE</b>	<b>TERMINATION LENGTH</b>
35mm <sup>2</sup>	TES3684AUR 3XIX35-70	600mm Long
50mm <sup>2</sup>	TES3684AUR 3XIX50-95	600mm Long
70mm <sup>2</sup>	TES3684AUR 3XIX50-95	600mm Long
95mm <sup>2</sup>	TES3684AUR 3XIX50-95	600mm Long
120mm <sup>2</sup>	TES3684AUR 3XIX95-240	600mm Long
150mm <sup>2</sup>	TES3684AUR 3XIX95-240	600mm Long
185mm <sup>2</sup>	TES3684AUR 3XIX95-240	600mm Long
240mm <sup>2</sup>	TES3684AUR 3XIX95-240	600mm Long
300mm <sup>2</sup>	TES3684AUR 3XIX300	700mm Long
400mm <sup>2</sup>	TES3684AUR 3XIX300-630	700mm Long
500mm <sup>2</sup>	TES3684AUR 3XIX300-630	700mm Long
630mm <sup>2</sup>	TES3684AUR 3XIX300-630	700mm Long
800mm <sup>2</sup>	TES3684AUR 3XIX800-1000	700mm Long
1000mm <sup>2</sup>	TES3684AUR 3XIX800-1000	700mm Long

Notes;

*Other specialised kits  
also available.*



# 33kV Three Core Indoor Termination

<b>CONDUCTOR SIZE</b>	<b>DTJS KIT CODE</b>	<b>JACKET REMOVAL</b>
25mm <sup>2</sup>	TIS3682AUKR 3X25-95	900mm
35mm <sup>2</sup>	TIS3682AUKR 3X25-95	900mm
50mm <sup>2</sup>	TIS3682AUKR 3X25-95	900mm
70mm <sup>2</sup>	TIS3682AUKR 3X25-95	900mm
95mm <sup>2</sup>	TIS3682AUKR 3X25-95	900mm
120mm <sup>2</sup>	TIS3682AUKR 3X95-240	900mm
150mm <sup>2</sup>	TIS3682AUKR 3X95-240	900mm
185mm <sup>2</sup>	TIS3682AUKR 3X95-240	900mm
240mm <sup>2</sup>	TIS3682AUKR 3X95-240	900mm
300mm <sup>2</sup>	TIS3682AUKR 3X300	900mm
400mm <sup>2</sup>	TIS3682AUKR 3X300-630	900mm
500mm <sup>2</sup>	TIS3682AUKR 3X300-630	900mm
630mm <sup>2</sup>	TIS3682AUKR 3X300-630	900mm

Notes;



*Other specialised kits  
also available.*

# 33kV Three Core Outdoor Termination

<b>CONDUCTOR SIZE</b>	<b>DTJS KIT CODE</b>	<b>JACKET REMOVAL</b>
---------------------------	--------------------------	---------------------------

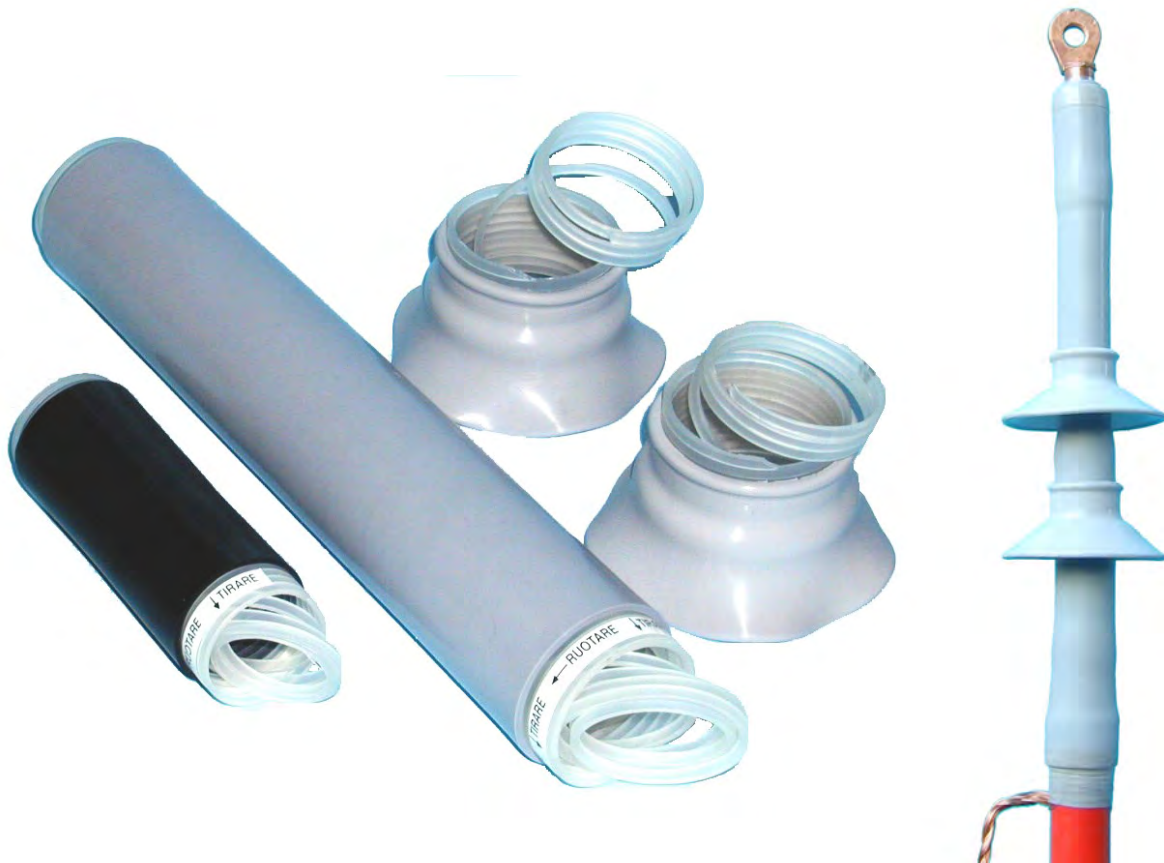
25mm <sup>2</sup>	TES3684AUKR 3X25-95	1250mm
35mm <sup>2</sup>	TES3684AUKR 3X25-95	1250mm
50mm <sup>2</sup>	TES3684AUKR 3X25-95	1250mm
70mm <sup>2</sup>	TES3684AUKR 3X25-95	1250mm
95mm <sup>2</sup>	TES3684AUKR 3X25-95	1250mm
120mm <sup>2</sup>	TES3684AUKR 3X95-240	1250mm
150mm <sup>2</sup>	TES3684AUKR 3X95-240	1250mm
185mm <sup>2</sup>	TES3684AUKR 3X95-240	1250mm
240mm <sup>2</sup>	TES3684AUKR 3X95-240	1250mm
300mm <sup>2</sup>	TES3684AUKR 3X300	1250mm
400mm <sup>2</sup>	TES3684AUKR 3X300-630	1250mm
500mm <sup>2</sup>	TES3684AUKR 3X300-630	1250mm
630mm <sup>2</sup>	TES3684AUKR 3X300-630	1250mm

Notes;

*Other specialised kits  
also available.*



## 11kV Coldshrink Terminations



### APPLICATION

For connection of polymeric cable to transformers, switchgear, motors and other equipment requiring a live line connection.

For indoor and outdoor installations, Single Core and Three Core.

Designed for XLPE or EPR with CWS—Can be adapted to CTS.

System voltage up to 12kV.

Kits supplied standard with

- ⇒ Three terminations per kit
- ⇒ MV Sicon Shear Lugs
- ⇒ LV Crimp Lugs



# 11kV Single Core Indoor Termination

<b>CONDUCTOR SIZE</b>	<b>DTJS KIT CODE</b>	<b>TERMINATION LENGTH</b>
35mm <sup>2</sup>	ECOLD TISI273PAUR 3XIX35	320mm Long
50mm <sup>2</sup>	ECOLD TISI273PAUR 3XIX50-70	320mm Long
70mm <sup>2</sup>	ECOLD TISI273PAUR 3XIX50-70	320mm Long
95mm <sup>2</sup>	ECOLD TISI273PAUR 3XIX95-240	320mm Long
120mm <sup>2</sup>	ECOLD TISI273PAUR 3XIX95-240	320mm Long
150mm <sup>2</sup>	ECOLD TISI273PAUR 3XIX95-240	320mm Long
185mm <sup>2</sup>	ECOLD TISI273PAUR 3XIX95-240	320mm Long
240mm <sup>2</sup>	ECOLD TISI273PAUR 3XIX95-240	320mm Long
300mm <sup>2</sup>	ECOLD TISI273PAUR 3XIX300-630	360mm Long
400mm <sup>2</sup>	ECOLD TISI273PAUR 3XIX300-630	360mm Long
500mm <sup>2</sup>	ECOLD TISI273PAUR 3XIX300-630	360mm Long
630mm <sup>2</sup>	ECOLD TISI273PAUR 3XIX300-630	360mm Long

Notes;



*Other specialised kits including 3 Core also available.*

# 11kV Single Core Outdoor Termination

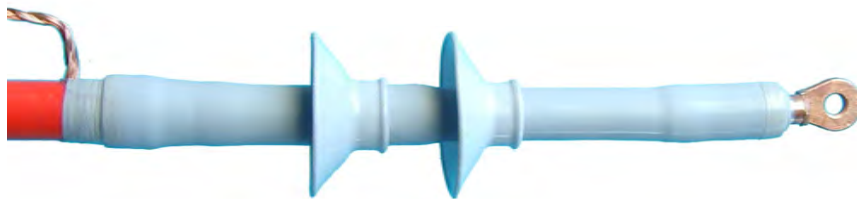
CONDUCTOR SIZE	DTJS KIT CODE	TERMINATION LENGTH
35mm <sup>2</sup>	ECOLD TESI272PAUR 3XIX35	320mm Long
50mm <sup>2</sup>	ECOLD TESI272PAUR 3XIX50-70	320mm Long
70mm <sup>2</sup>	ECOLD TESI272PAUR 3XIX50-70	320mm Long
95mm <sup>2</sup>	ECOLD TESI272PAUR 3XIX95-240	320mm Long
120mm <sup>2</sup>	ECOLD TESI272PAUR 3XIX95-240	320mm Long
150mm <sup>2</sup>	ECOLD TESI272PAUR 3XIX95-240	320mm Long
185mm <sup>2</sup>	ECOLD TESI272PAUR 3XIX95-240	320mm Long
240mm <sup>2</sup>	ECOLD TESI272PAUR 3XIX95-240	320mm Long
300mm <sup>2</sup>	ECOLD TESI272PAUR 3XIX300-630	360mm Long
400mm <sup>2</sup>	ECOLD TESI272PAUR 3XIX300-630	360mm Long
500mm <sup>2</sup>	ECOLD TESI272PAUR 3XIX300-630	360mm Long
630mm <sup>2</sup>	ECOLD TESI272PAUR 3XIX300-630	360mm Long

Notes;



*Other specialised kits including 3 Core also available.*

## 22kV Coldshrink Terminations



### APPLICATION

For connection of polymeric cable to transformers, switchgear, motors and other equipment requiring a live line connection.

For indoor and outdoor installations, Single Core and Three Core.

Designed for XLPE or EPR with CVS—Can be adapted to CTS.

System voltage up to 24kV.

Kits supplied standard with

- ⇒ Three terminations per kit
- ⇒ MV Sicon Shear Lugs
- ⇒ LV Crimp Lugs



# 22kV Single Core Indoor Termination

<b>CONDUCTOR SIZE</b>	<b>DTJS KIT CODE</b>	<b>TERMINATION LENGTH</b>
35mm <sup>2</sup>	ECOLD TIS2473PAUR 3XIX35-95	410mm Long
50mm <sup>2</sup>	ECOLD TIS2473PAUR 3XIX35-95	410mm Long
70mm <sup>2</sup>	ECOLD TIS2473PAUR 3XIX35-95	410mm Long
95mm <sup>2</sup>	ECOLD TIS2473PAUR 3XIX35-95	410mm Long
120mm <sup>2</sup>	ECOLD TIS2473PAUR 3XIX95-240	410mm Long
150mm <sup>2</sup>	ECOLD TIS2473PAUR 3XIX95-240	410mm Long
185mm <sup>2</sup>	ECOLD TIS2473PAUR 3XIX95-240	410mm Long
240mm <sup>2</sup>	ECOLD TIS2473PAUR 3XIX95-240	410mm Long
300mm <sup>2</sup>	ECOLD TIS2473PAUR 3XIX300	410mm Long
400mm <sup>2</sup>	ECOLD TIS2473PAUR 3XIX400-630	450mm Long
500mm <sup>2</sup>	ECOLD TIS2473PAUR 3XIX400-630	450mm Long
630mm <sup>2</sup>	ECOLD TIS2473PAUR 3XIX400-630	450mm Long

Notes;



*Other specialised kits including 3 Core also available.*

# 22kV Single Core Outdoor Termination

<b>CONDUCTOR SIZE</b>	<b>DTJS KIT CODE</b>	<b>TERMINATION LENGTH</b>
35mm <sup>2</sup>	ECOLD TES2472PAUR 3XIX35-95	410mm Long
50mm <sup>2</sup>	ECOLD TES2472PAUR 3XIX35-95	410mm Long
70mm <sup>2</sup>	ECOLD TES2472PAUR 3XIX35-95	410mm Long
95mm <sup>2</sup>	ECOLD TES2472PAUR 3XIX35-95	410mm Long
120mm <sup>2</sup>	ECOLD TES2472PAUR 3XIX95-240	410mm Long
150mm <sup>2</sup>	ECOLD TES2472PAUR 3XIX95-240	410mm Long
185mm <sup>2</sup>	ECOLD TES2472PAUR 3XIX95-240	410mm Long
240mm <sup>2</sup>	ECOLD TES2472PAUR 3XIX95-240	410mm Long
300mm <sup>2</sup>	ECOLD TES2472PAUR 3XIX300	410mm Long
400mm <sup>2</sup>	ECOLD TES2472PAUR 3XIX400-630	450mm Long
500mm <sup>2</sup>	ECOLD TES2472PAUR 3XIX400-630	450mm Long
630mm <sup>2</sup>	ECOLD TES2472PAUR 3XIX400-630	450mm Long

Notes;

*Other specialised kits including 3 Core also available.*



## 33kV Coldshrink Terminations



**We produce**  
**We design**  
**We assemble**  
We know the market



### **APPLICATION**

For connection of polymeric cable to transformers, switchgear, motors and other equipment requiring a live line connection.

For indoor and outdoor installations, Single Core and Three Core.

Designed for XLPE or EPR with CWS—Can be adapted to CTS.

System voltage up to 36kV.

Kits supplied standard with

- ⇒ Three terminations per kit
- ⇒ MV Sicon Shear Lugs
- ⇒ LV Crimp Lugs



# 33kV Single Core Indoor Termination

<b>CONDUCTOR SIZE</b>	<b>DTJS KIT CODE</b>	<b>TERMINATION LENGTH</b>
50mm <sup>2</sup>	ECOLD TIS3673PAUR 3XIX35-70	650mm Long
70mm <sup>2</sup>	ECOLD TIS3673PAUR 3XIX35-70	650mm Long
95mm <sup>2</sup>	ECOLD TIS3673PAUR 3XIX95-240	650mm Long
120mm <sup>2</sup>	ECOLD TIS3673PAUR 3XIX95-240	650mm Long
150mm <sup>2</sup>	ECOLD TIS3673PAUR 3XIX95-240	650mm Long
185mm <sup>2</sup>	ECOLD TIS3673PAUR 3XIX95-240	650mm Long
240mm <sup>2</sup>	ECOLD TIS3673PAUR 3XIX95-240	650mm Long
300mm <sup>2</sup>	ECOLD TIS3673PAUR 3XIX300-400	700mm Long
400mm <sup>2</sup>	ECOLD TIS3673PAUR 3XIX300-400	700mm Long
500mm <sup>2</sup>	ECOLD TIS3673PAUR 3XIX500-630	700mm Long
630mm <sup>2</sup>	ECOLD TIS3673PAUR 3XIX500-630	700mm Long

Notes;



*Other specialised kits including 3 Core also available.*

# 33kV Single Core Outdoor Termination

<b>CONDUCTOR SIZE</b>	<b>DTJS KIT CODE</b>	<b>TERMINATION LENGTH</b>
50mm <sup>2</sup>	ECOLD TES3672PAUR 3XIX35-70	650mm Long
70mm <sup>2</sup>	ECOLD TES3672PAUR 3XIX35-70	650mm Long
95mm <sup>2</sup>	ECOLD TES3672PAUR 3XIX95-240	650mm Long
120mm <sup>2</sup>	ECOLD TES3672PAUR 3XIX95-240	650mm Long
150mm <sup>2</sup>	ECOLD TES3672PAUR 3XIX95-240	650mm Long
185mm <sup>2</sup>	ECOLD TES3672PAUR 3XIX95-240	650mm Long
240mm <sup>2</sup>	ECOLD TES3672PAUR 3XIX95-240	650mm Long
300mm <sup>2</sup>	ECOLD TES3672PAUR 3XIX300-400	700mm Long
400mm <sup>2</sup>	ECOLD TES3672PAUR 3XIX300-400	700mm Long
500mm <sup>2</sup>	ECOLD TES3672PAUR 3XIX500-630	700mm Long
630mm <sup>2</sup>	ECOLD TES3672PAUR 3XIX500-630	700mm Long

Notes;



*Other specialised kits including 3 Core also available.*

## 11kV Heatshrink Joints



### APPLICATION

Designed for XLPE or EPR with CWS.

\* Can be adapted to CTS

\* Can be adapted to include SWA

System voltage up to 12kV.

Kits supplied standard with

- ⇒ Single Core Cable — Three joints per kit
- ⇒ Three Core Cable — One joint per kit
- ⇒ MV Sicon Shear Links
- ⇒ LV Crimp Links

\* Shear Lv Links available



# 11kV Single Core Joint

<b>CONDUCTOR SIZE</b>	<b>DTJS KIT CODE</b>	<b>DUAL WALL TUBE LENGTH</b>
35mm <sup>2</sup>	GLSI285AUR 3XIX35-70	400mm
50mm <sup>2</sup>	GLSI285AUR 3XIX35-70	400mm
70mm <sup>2</sup>	GLSI285AUR 3XIX35-70	400mm
95mm <sup>2</sup>	GLSI285AUR 3XIX95-240	420mm
120mm <sup>2</sup>	GLSI285AUR 3XIX95-240	420mm
150mm <sup>2</sup>	GLSI285AUR 3XIX95-240	420mm
185mm <sup>2</sup>	GLSI285AUR 3XIX95-240	420mm
240mm <sup>2</sup>	GLSI285AUR 3XIX95-240	420mm
300mm <sup>2</sup>	GLSI285AUR 3XIX300-400	460mm
400mm <sup>2</sup>	GLSI285AUR 3XIX300-400	460mm
500mm <sup>2</sup>	GLSI285AUR 3XIX500-630	520mm
630mm <sup>2</sup>	GLSI285AUR 3XIX500-630	520mm

Notes;

*Other specialised kits  
also available.*

# 11kV Three Core Joint

<b>CONDUCTOR SIZE</b>	<b>DTJS KIT CODE</b>	<b>DUAL WALL TUBE LENGTH</b>
35mm <sup>2</sup>	GLSI275AUR-3X35-95	400mm
50mm <sup>2</sup>	GLSI275AUR-3X35-95	400mm
70mm <sup>2</sup>	GLSI275AUR-3X35-95	400mm
95mm <sup>2</sup>	GLSI275AUR-3X35-95	400mm
120mm <sup>2</sup>	GLSI275AUR-3X95-240	420mm
150mm <sup>2</sup>	GLSI275AUR-3X95-240	420mm
185mm <sup>2</sup>	GLSI275AUR-3X95-240	420mm
240mm <sup>2</sup>	GLSI275AUR-3X95-240	420mm
300mm <sup>2</sup>	GLSI275AUR-3X300-400	460mm
400mm <sup>2</sup>	GLSI275AUR-3X300-400	460mm
500mm <sup>2</sup>	GLSI275AUR-3X500-630	520mm
630mm <sup>2</sup>	GLSI275AUR-3X500-630	520mm

Notes;

*Other specialised kits  
also available.*

## 22kV Heatshrink Joints



### APPLICATION

Designed for XLPE or EPR with CWS.

- \* Can be adapted to CTS
- \* Can be adapted to include SWA

System voltage up to 24kV.

Kits supplied standard with

- ⇒ Single Core Cable — Three joints per kit
- ⇒ Three Core Cable — One joint per kit
- ⇒ MV Sicon Shear Links
- ⇒ LV Crimp Links

- \* Shear Lv Links available upon request.



# 22kV Single Core Joint

<b>CONDUCTOR SIZE</b>	<b>DTJS KIT CODE</b>	<b>DUAL WALL TUBE LENGTH</b>
35mm <sup>2</sup>	GLS2485AUR 3XIX35-95	440mm
50mm <sup>2</sup>	GLS2485AUR 3XIX35-95	440mm
70mm <sup>2</sup>	GLS2485AUR 3XIX35-95	440mm
95mm <sup>2</sup>	GLS2485AUR 3XIX35-95	440mm
120mm <sup>2</sup>	GLS2485AUR 3XIX95-240	460mm
150mm <sup>2</sup>	GLS2485AUR 3XIX95-240	460mm
185mm <sup>2</sup>	GLS2485AUR 3XIX95-240	460mm
240mm <sup>2</sup>	GLS2485AUR 3XIX95-240	460mm
300mm <sup>2</sup>	GLS2485AUR 3XIX300-400	500mm
400mm <sup>2</sup>	GLS2485AUR 3XIX300-400	500mm
500mm <sup>2</sup>	GLS2485AUR 3XIX500-630	560mm
630mm <sup>2</sup>	GLS2485AUR 3XIX500-630	560mm

Notes;

*Other specialised kits  
also available.*

# 22kV Three Core Joint

<b>CONDUCTOR SIZE</b>	<b>DTJS KIT CODE</b>	<b>DUAL WALL TUBE LENGTH</b>
35mm <sup>2</sup>	GLS2475AUR-3X35-95	440mm
50mm <sup>2</sup>	GLS2475AUR-3X35-95	440mm
70mm <sup>2</sup>	GLS2475AUR-3X35-95	440mm
95mm <sup>2</sup>	GLS2475AUR-3X35-95	440mm
120mm <sup>2</sup>	GLS2475AUR-3X95-240	460mm
150mm <sup>2</sup>	GLS2475AUR-3X95-240	460mm
185mm <sup>2</sup>	GLS2475AUR-3X95-240	460mm
240mm <sup>2</sup>	GLS2475AUR-3X95-240	460mm
300mm <sup>2</sup>	GLS2475AUR-3X300-400	500mm
400mm <sup>2</sup>	GLS2475AUR-3X300-400	500mm
500mm <sup>2</sup>	GLS2475AUR-3X500-630	560mm
630mm <sup>2</sup>	GLS2475AUR-3X500-630	560mm

Notes;

*Other specialised kits  
also available.*

## 33kV Heatshrink Joints

A close-up photograph showing a blue heatshrink sleeve being applied to a cable joint. Bright blue light from a heat gun is directed at the sleeve, causing it to contract and adhere to the cable. The background is dark, making the blue light and sleeve stand out.

**2 manufacturing** plants  
**2000 solutions** for joints and terminations  
**3000 sq.m** of production area

### APPLICATION

Designed for XLPE or EPR with CWS.

- \* Can be adapted to CTS
- \* Can be adapted to include SWA

System voltage up to 36kV.

Kits supplied standard with

- ⇒ Single Core Cable — Three joints per kit
- ⇒ Three Core Cable — One joint per kit
- ⇒ MV Sicon Shear Links
- ⇒ LV Crimp Links

- \* Shear Lv Links available upon request.



# 33kV Single Core Joint

<b>CONDUCTOR SIZE</b>	<b>DTJS KIT CODE</b>	<b>DUAL WALL TUBE LENGTH</b>
35mm <sup>2</sup>	GLS3685AUR 3XIX35-95	540mm
50mm <sup>2</sup>	GLS3685AUR 3XIX35-95	540mm
70mm <sup>2</sup>	GLS3685AUR 3XIX35-95	540mm
95mm <sup>2</sup>	GLS3685AUR 3XIX35-95	540mm
120mm <sup>2</sup>	GLS3685AUR 3XIX120-240	560mm
150mm <sup>2</sup>	GLS3685AUR 3XIX120-240	560mm
185mm <sup>2</sup>	GLS3685AUR 3XIX120-240	560mm
240mm <sup>2</sup>	GLS3685AUR 3XIX120-240	560mm
300mm <sup>2</sup>	GLS3685AUR 3XIX300-400	620mm
400mm <sup>2</sup>	GLS3685AUR 3XIX300-400	620mm
500mm <sup>2</sup>	GLS3685AUR 3XIX500-630	680mm
630mm <sup>2</sup>	GLS3685AUR 3XIX500-630	680mm

Notes;

*Other specialised kits  
also available.*

# 33kV Three Core Joint

<b>CONDUCTOR SIZE</b>	<b>DTJS KIT CODE</b>	<b>DUAL WALL TUBE LENGTH</b>
35mm <sup>2</sup>	GLS3675AUR-3X35-70	540mm
50mm <sup>2</sup>	GLS3675AUR-3X35-70	540mm
70mm <sup>2</sup>	GLS3675AUR-3X35-70	540mm
95mm <sup>2</sup>	GLS3675AUR-3X95-240	560mm
120mm <sup>2</sup>	GLS3675AUR-3X95-240	560mm
150mm <sup>2</sup>	GLS3675AUR-3X95-240	560mm
185mm <sup>2</sup>	GLS3675AUR-3X95-240	560mm
240mm <sup>2</sup>	GLS3675AUR-3X95-240	560mm
300mm <sup>2</sup>	GLS3675AUR-3X300-400	620mm
400mm <sup>2</sup>	GLS3675AUR-3X300-400	620mm
500mm <sup>2</sup>	GLS3675AUR-3X500-630	660mm
630mm <sup>2</sup>	GLS3675AUR-3X500-630	660mm

Notes;

*Other specialised kits  
also available.*

## Anti Tracking Boot—Right Angle

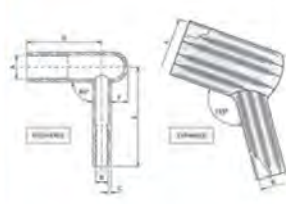


Heat shrinkable Anti Tracking Right Angled Boot in X-Linked Polyolefin.

Used where air clearance is insufficient.

All made in Italy.

Type	EXPANDED		Recovered						
	A (mm)	B (mm)	A (mm)	B (mm)	C (mm)	D (mm)	E (mm)	F (mm)	
ELCOTERM HSAB 1	70	26	35	13	4	110	130	25	
ELCOTERM HSAB 2	90	36	55	19	4,5	110	140	25	
ELCOTERM HSAB 2S	90	36	55	19	4,5	75	140	25	
ELCOTERM HSAB 3	95	67	37	27	4,5	120	140	25	



**COLOURS**

Red

## Anti Tracking Boot—Straight

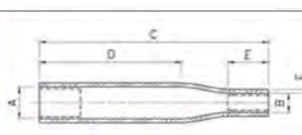
Heat shrinkable Anti Tracking Straight Boot in X-Linked Polyolefin.

Used where air clearance is insufficient.

All made in Italy.



Type	EXPANDED		Recovered						
	A (mm)	B (mm)	A (mm)	B (mm)	C (mm)	D (mm)	E (mm)	F (mm)	
ELCOTERM HSSB 1	68	45	24	18	220	120	40	3	
ELCOTERM HSSB 2	85	56	36	26	220	120	40	3,5	



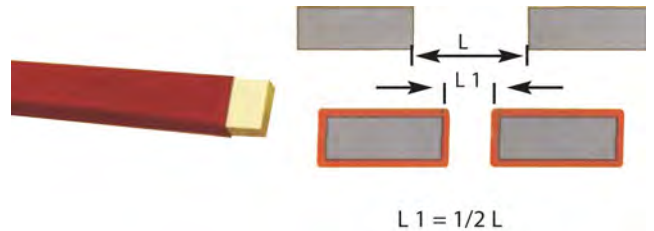
**COLOURS**


Red

## Busbar Tubing—Medium Wall

Medium Wall flexible Heatshrink tube for straight bus bars.

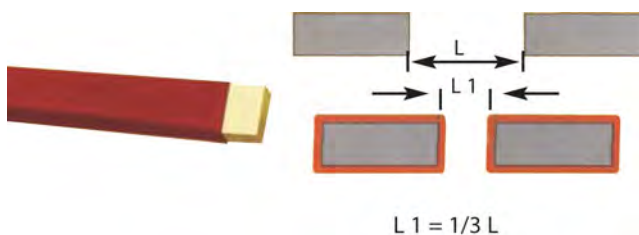
Used to halve the distance required between 2 phases.



Dimensions	D min (mm)	d max (mm)	T min** (mm)	Reel (m)	Reels for box (Nr)	 <b>COLOURS</b> Red
30/12	30	12	2,6	50	2	
50/20	50	20	2,6	40	2	
75/30	75	30	3,5	40	2	
100/40	100	40	4,0	25	2	
120/50	120	50	4,0	25	2	
150/60	150	60	4,0	25	2	


\*\* Free recovered

## Busbar Tubing—Heavy Wall



Heavy Wall Heatshrink tube for straight bus bars.

Used to reduce the distance required between 2 phases to about one third.

Dimensions	D min (mm)	d max (mm)	T min** (mm)	Reel (m)	Reels per box (Nr)	 <b>COLOURS</b> Red
36/10	36	10	3,0	50	2	
46/14	46	14	3,5	40	2	
54/16	54	16	4,0	40	2	
66/20	66	20	4,2	40	2	
95/30	95	30	5,3	30	2	

\*\* Free recovered

# Inner Cone Connectors

---



## History

AB Cable Accessories was established in 1994 with the purpose of manufacturing and assembling Low Voltage and Medium Voltage cable accessories to three major companies.

Thanks to the competence and experience acquired during this period, AB Cable Accessories was able to approach the market directly as of 2007.

Today, the brand and supply of product continues to grow throughout the world, in part due to strategic alliances with distributors such as DT Jointing Solutions.

## Product Specifics

The Innex separable connector is designed to connect polymeric insulated cable to equipment (transformer, switchgear, motor...), including:

- dimension and scope of delivery completely according to EN 50181, inside cone type, interface Size 0 through to Size 3Y
- applicable for both single-phase and three-phase cable;
- maintenance free; / pre-tested and pre-assembly parts;
- completely solid insulation (no gas or liquid insulating medium);
- the metallic end bell provides a total safe to touch screen which ensures safety for personnel;
- Screen break design.

## Size 0 Inner Cone



### Size 0 Specifications—IC250A;

- Maximum System Voltage: 24kV
- Nominal Current: 250A
- Impulse (BIL): 125kV
- Short Time Withstand Current (0.5 s) = 18kA
- Short Time Withstand Current (1 s) = 9kA
- Rated Impulse Current = 40kA
- AC Withstand (5 min): 54kV
- Thermal Cycles and AC Withstand: 30kV
- DC Voltage Test (15 min): 72kV
- Partial Discharge: <10pC at 24kV
- Maximum Conductor Size: 70mm<sup>2</sup>
- Maximum Primary Insulation Diameter: 24.0mm

Contact  
DTJS for  
specific kit  
codes.

## Size 1 Inner Cone



### Size I Specifications—IC400A;

- Maximum System Voltage: 36kV
- Nominal Current: 630A
- Impulse (BIL): 170kV
- Short Time Withstand Current (0.5 s) = 50kA
- Short Time Withstand Current (1 s) = 31.5kA
- Rated Impulse Current = 125kA
- AC Withstand (5 min): 81kV
- Thermal Cycles and AC Withstand: 45kV
- DC Voltage Test (15 min): 108kV
- Partial Discharge: <10pC at 36kV
- Maximum Conductor Size: 240mm<sup>2</sup>
- Maximum Primary Insulation Diameter: 35.0mm



*Contact  
DTJS for  
specific kit  
codes.*

## Size 2 Inner Cone



### Size I Specifications—IC800A;

- Maximum System Voltage: 42kV
- Nominal Current: 800A
- Impulse (BIL): 200kV
- Short Time Withstand Current (0.5 s) = 50kA
- Short Time Withstand Current (1 s) = 40kA
- Rated Impulse Current = 125kA
- AC Withstand (5 min): 81kV
- Thermal Cycles and AC Withstand: 52kV
- DC Voltage Test (15 min): 125kV
- Partial Discharge: <10pC at 20kV
- Maximum Conductor Size: 400mm<sup>2</sup>
- Maximum Primary Insulation Diameter: 40.0mm



Contact  
DTJS for  
specific kit  
codes.

## Size 3 Inner Cone



### Size 3 Specifications—ICI 250A;

- Maximum System Voltage: 42kV
- Nominal Current: 1250A
- Impulse (BIL): 200kV
- Short Time Withstand Current (0.5 s) = 63kA
- Short Time Withstand Current (1 s) = 50kA
- Rated Impulse Current = 150kA
- AC Withstand (5 min): 93.6kV
- Thermal Cycles and AC Withstand: 52kV
- DC Voltage Test (15 min): 125kV
- Partial Discharge: <10pC at 42kV
- Maximum Conductor Size: 630mm<sup>2</sup>
- Maximum Primary Insulation Diameter: 51.0mm



*Contact  
DTJS for  
specific kit  
codes.*

## Size 3Y Inner Cone



### Size 3 Specifications—ICI 250Y;

- Maximum System Voltage: 52kV
- Nominal Current: 1250A
- Impulse (BIL): 250kV
- Short Time Withstand Current (0.5 s) = 63kA
- Short Time Withstand Current (1 s) = 50kA
- Rated Impulse Current = 150kA
- AC Withstand (5 min): 117kV
- Thermal Cycles and AC Withstand: 52kV
- DC Voltage Test (15 min): 156kV
- Partial Discharge: <5pC at 45.5kV
- Maximum Conductor Size: 630mm<sup>2</sup>
- Maximum Primary Insulation Diameter: 51.0mm



*Contact  
DTJS for  
specific kit  
codes.*

# Cable Preparation Tooling

---



## History

Speed Systems has been manufacturing quality, field-tested products for over 35 years. The tools are designed and built in the manufacturing facility in Brookfield, Wisconsin.

Speed Systems focus on safety, efficiency, ergonomics and value as they design and build tools to meet specific customer needs.

Speed Systems offer solutions for preparing primary and secondary cable for termination, as well as products for installing specific cable system components.

## Current

DT Jointing Solutions have been supplying the Speed Systems range of cable preparation tools since our beginnings and are happy to endorse the quality and functionality, as these are the tools we use in our own workshop.

Understanding the tools thoroughly is a sure way to ensure we provide you with the very best service possible

## Primary Insulation Remover

### I542-2CL

- Designed to remove most standard MV Cable Primary Insulation
- Cable OD Range  
12.7mm—44.5mm
- Provided with wedge blade installed and spare straight blade



## Semi Con Pliers



### SC-13

- Contains roller grip and broad nose along with serrated jaws for maximum grip.
- The design of this unit helps reduce the tearing that can occur when removing the semi con material.

## Semi Con Scoring Tool

### I700SS

- Provides circular scoring of semi conductive material.
- Cable OD Range  
12.7mm—50.8mm
- Adjustable blade depth.
- Leaf spring maintains constant pressure.



## Semi Con Scoring Tool

### I800SS

- Provides circular scoring of semi conductive material.
- Cable OD Range  
44.5mm—76.2mm
- Adjustable blade depth.
- Leaf spring maintains constant pressure.



## Bevel / Chamfer Tool

### CT-1

- Chamfering tool designed to provide a 45 degree angle on the Primary Insulation where required.
- Cable OD Range  
12.7mm—34.9mm



## Bevel / Chamfer Tool

### CT-2

- Chamfering tool designed to provide a 45 degree angle on the Primary Insulation where required.
- Cable OD Range  
24.1mm—69.9mm



# Earthing Equipment



DT Jointing Solutions have established a supply relationship with a high quality, Australian owned and operated manufacturer of market leading Earthing solutions.

Earth Rods, clamps, mats, bars and earth enhancing compound are all available at DTJS.

## Good Earth

Good Earth (GE) is a superior conductive material using Bentonite and Gypsum that improves grounding effectiveness when poor conductivity is found. The (GE) mixture then sets to a hardened and permanent cement like state on all types of unstable surface's like sand, crushed rock and soils, allowing for a maintenance free earthing surface.



## Earth Rods and Clamps

These Earth clamps come in all diameters to fit commonly used earth rods and earth wires. Clamp castings are made from high copper content alloy.

These Copper clad earth rods are manufactured using Steel to AS3679 and H.D. Copper tube manufactured to AS1572, with a diameter of 19mm nominal.



## Busbar and C Connectors

Custom made to order Busbars are now available. Your drawing or specification can be supplied in bright Electro Tin or Plated in Natural punched or plain finish.

C type compression connector is made from high conductivity copper. Used where copper earth wire is looped so as not to cut the earth wire, ensuring continuity of the earth system.



# Cable Clamps—Polyamide

DT Jointing Solutions supply a range of Polyamide cable clamps to suit single core and trefoil cable.

Technical specifications;

- Material: Polyamide, Glass-Fibre Reinforced.
- Tensile strength: 120 N/mm<sup>2</sup>
- Flexural strength: 200 N/mm<sup>2</sup>
- Thermal expansion: 0.02 % / 1 °C
- Fire resistance: UL94 – VOVDE 0304, Part 3, Class 1a
- Resistant to: U.V. light, Ozone, Oils, Fuels, Alkalis



**Common Cable Clamps Include;**

## **Single Core Cable -**

- ♦ Clamp 101722609 Suits Cable OD Between 26mm to 38mm
- ♦ Clamp 101722610 Suits Cable OD Between 36mm to 52mm
- ♦ Clamp 101722613 Suits Cable OD Between 50mm to 75mm
- ♦ Clamp 101722614 Suits Cable OD Between 100mm to 130mm

## **Three Core Cable -**

- ♦ Clamp 101722611 Suits Cable OD Between 33mm to 46mm
- ♦ Clamp 101722612 Suits Cable OD Between 44mm to 50mm



# Cable Clamps—Stainless Steel

DT Jointing Solutions supply a range of Cooper B-Line Stainless Steel cable clamps to suit single core and trefoil cable.

## Single Cable Cleat with LSF Pad

1. Cable Cleats are recommended for installations where the highest levels of short circuit withstand are required.
2. Cable Cleats have been short circuit current tested in accordance with BS EN 50368:2003 standard.

BS EN 50368:2003 (Cable Cleats for Electric Installations) Classification	
Cleat Type	Composite
Resistance to Electromechanical Force	130 kA peak / 50 kA RMS 600 mm spacing
Lateral Load Test	3,439 kg average
Axial Load Test	Pass
Operating Temperature Range	-40°C to +60°C
Impact Resistance	Very Heavy
Needle Flame Test	30 seconds

Technical Specifications	
Frame	50mm x 2mm Marine grade, Non-magnetic 316L
Closure Hardware	Captive 316 Stainless Steel M8 or M10 (M12 available) bolt and nylon-lock nut
Integral Pad	Low Smoke, Low Fume, Zero Halogen
Tools Required	Impact Wrench
Mounting Bolt	Provided with Cable Cleat

3. Cable Cleat LSF-pad incorporate an integral low smoke, low fume, zero halogen pad.
4. Hardware to attach cleat to rung attachment bracket is included with cleat. Bracket must be ordered separately.



# Cable Clamps—Stainless Steel

## Single Cable Cleat with LSF Pad

### Selections Guide:

Part No.	Cable Range (mm)		Dimensions (mm)	
	Min. Dia.	Max. Dia.	H	W
9SS6-CCS2832	28	32	61	55
9SS6-CCS3034	30	34	63	57
9SS6-CCS3236	32	36	65	59
9SS6-CCS3438	34	38	67	61
9SS6-CCS3640	36	40	69	63
9SS6-CCS3842	38	42	71	65
9SS6-CCS4044	40	44	73	67
9SS6-CCS4246	42	46	75	69
9SS6-CCS4448	44	48	77	71
9SS6-CCS4650	46	50	79	73
9SS6-CCS4852	48	52	81	75
9SS6-CCS5054	50	54	83	77
9SS6-CCS5256	52	56	85	79
9SS6-CCS5458	54	58	87	81
9SS6-CCS5660	56	60	89	83
9SS6-CCS5862	58	62	91	85
9SS6-CCS6064	60	64	93	87
9SS6-CCS6266	62	66	95	89
9SS6-CCS6468	64	68	97	91
9SS6-CCS6670	66	70	99	93
9SS6-CCS6872	68	72	101	95
9SS6-CCS7074	70	74	103	97
9SS6-CCS7276	72	76	105	99
9SS6-CCS7478	74	78	107	101
9SS6-CCS7680	76	80	109	103
9SS6-CCS7682	76	82	111	105
9SS6-CCS8084	80	84	113	107
9SS6-CCS8286	82	86	115	109
9SS6-CCS8488	84	88	117	111
9SS6-CCS8690	86	90	119	113
9SS6-CCS9094	90	94	121	115
9SS6-CCS94118	94	118	135	137
9SS6-CCS118130	118	130	141	143
9SS6-CCS127150	127	150	162	165

# Cable Clamps—Stainless Steel

DT Jointing Solutions supply a range of Cooper B-Line Stainless Steel cable clamps to suit single core and trefoil cable.

## Trefoil Cable Cleat with LSF Pad

1. Cable Cleats are recommended for installations where the highest levels of short circuit withstand are required.
2. Cable Cleats have been short circuit current tested in accordance with BS EN 50368:2003 standard.
3. Cable Cleat LSF-pad incorporate an integral low smoke, low fume, zero halogen pad.

BS EN 50368:2003 (Cable Cleats for Electric Installations) Classification	
Cleat Type	Composite
Resistance to Electromechanical Force	130 kA peak / 50 kA RMS 600 mm spacing
Lateral Load Test	3,439 kg average
Axial Load Test	Pass
Operating Temperature Range	-40°C to +60°C
Impact Resistance	Very Heavy
Needle Flame Test	30 seconds

Technical Specifications	
Frame	50mm x 2mm Marine grade, Non-magnetic 316L
Closure Hardware	Captive 316 Stainless Steel M8 or M10 (M12 available) bolt and nylon-lock nut
Integral Pad	Low Smoke, Low Fume, Zero Halogen
Tools Required	Impact Wrench
Mounting Bolt	Provided with Cable Cleat

4. Hardware to attach cleat to rung attachment bracket is included with cleat. Bracket must be ordered separately.



# Cable Clamps—Stainless Steel

## Trefoil Cable Cleat with LSF Pad

Selections Guide:


Part No.	Cable Range (mm)		Dimensions (mm)	
	Min. Dia.	Max. Dia.	H	W
9SS6-CCT1323	13	22	74	66
9SS6-CCT2125	21	25	77	70
9SS6-CCT2329	23	29	81	78
9SS6-CCT2531	25	31	84	81
9SS6-CCT2733	27	33	86	83
9SS6-CCT2935	29	35	90	89
9SS6-CCT3238	32	38	94	95
9SS6-CCT3541	35	41.5	98	100
9SS6-CCT3844	38	44.5	101	104
9SS6-CCT4248	42	48	105	111
9SS6-CCT4551	45	51	109	117
9SS6-CCT4753	47	53	111	120
9SS6-CCT4955	49	55	114	124
9SS6-CCT5157	51	57	116	127
9SS6-CCT5359	53	59	119	133
9SS6-CCT5561	55	61	127	137
9SS6-CCT5763	57	63	126	140
9SS6-CCT5965	59	65	128	144
9SS6-CCT6167	61	67	132	147
9SS6-CCT6369	63	69	136	150
9SS6-CCT6571	65	71	140	153
9SS6-CCT6773	67	73	143	156
9SS6-CCT6975	69	75	147	160
9SS6-CCT7177	71	77	151	163
9SS6-CCT7379	73	79	154	166
9SS6-CCT7581	75	81	158	169
9SS6-CCT7783	77	83	161	173
9SS6-CCT7985	79	85	164	176
9SS6-CCT8187	81	87	169	179
9SS6-CCT8389	83	89	173	182
9SS6-CCT8896	88	96	181	192
9SS6-CCT96103	96	103	190	201
9SS6-CCT103111	103	111	199	204
9SS6-CCT111119	111	119	208	213
9SS6-CCT119128	119	128	217	221

# LV Heatshrink

## LV Non Mastic Lined Tubing

Heat shrinkable tubing in X-Linked Polyolefin.

Available in any singles or bulk. at 1mt or 1.5mt long. All made in Italy.

Dimensions	D min (mm)	d max (mm)	T min** (mm)	Standard length (mm)	Quantity per box (pcs)	
12 / 3	12	3	1,5	1000 - 1500	500	
16 / 4	16	4	1,5	1000 - 1500	400	
19 / 6	19	6	2,0	1000 - 1500	200	
30 / 8	30	8	2,0	1000 - 1500	100	
40 / 12	40	12	2,0	1000 - 1500	60	
50 / 16	50	16	2,5	1000 - 1500	40	
63 / 19	63	19	2,8	1000 - 1500	25	
75 / 22	75	22	3,0	1000 - 1500	20	
95 / 30	95	30	3,3	1000 - 1500	15	
115 / 34	115	34	3,3	1000 - 1500	12	
140 / 42	140	42	3,5	1000 - 1500	10	

### COLOURS

Black



\*\* Free recovered

## LV Mastic Lined Tubing

Heat shrinkable adhesive lined tubing in X-Linked Polyolefin.

Available in any singles or bulk. at 1mt or 1.5mt long. All made in Italy.

Dimensions	D min (mm)	d max (mm)	T min** (mm)	Standard length (mm)	Quantity per box (pcs)	
12 / 3	12	3	1,5	1000 - 1500	500	
16 / 4	16	4	1,5	1000 - 1500	400	
19 / 6	19	6	2,0	1000 - 1500	200	
30 / 8	30	8	2,0	1000 - 1500	100	
40 / 12	40	12	2,0	1000 - 1500	60	
50 / 16	50	16	2,5	1000 - 1500	40	
63 / 19	63	19	2,8	1000 - 1500	25	
75 / 22	75	22	3,0	1000 - 1500	20	
95 / 30	95	30	3,3	1000 - 1500	15	
115 / 34	115	34	3,3	1000 - 1500	12	
140 / 42	140	42	3,5	1000 - 1500	10	

### COLOURS

Black



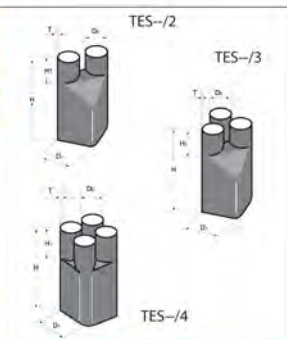
\*\* Free recovered

## Mastic Lined Breakout Gloves

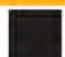
Heat shrinkable cable breakout boots in X-Linked Polyolefin with adhesive coating. Available in 2, 3 or 4 way configuration.

Available in any singles or bulk. All made in Italy.

Type	EXPANDED / Recovered		Recovered			Quantity per box (pcs)
	D1 / d1 (mm)	D2 / d2 (mm)	H (mm)	H1 (mm)	T** (mm)	
ELCOTERM TES 0151/2	32 / 11	13 / 4,5	85	20	2	200
ELCOTERM TES 0152/2	50 / 24	21 / 8	120	35	3	150
ELCOTERM TES 0151/3	36 / 15	14 / 4	100	20	2	100
ELCOTERM TES 0152/3	52 / 21	22 / 8	185	60	2,8	50
ELCOTERM TES 0153/3	78 / 34	35 / 12	215	70	3,2	50
ELCOTERM TES 0154/3	110 / 49	50 / 18	235	90	3,8	50
ELCOTERM TES 0155/3	140 / 58	65 / 29	255	100	3,4	50
ELCOTERM TES 0151/4	41 / 17	13 / 4	95	20	1,7	200
ELCOTERM TES 0151/4-1	49 / 18	14 / 5	95	20	1,7	200
ELCOTERM TES 0152/4	57 / 28	20 / 7	170	50	2,5	100
ELCOTERM TES 0153/4	66 / 29	25 / 8	170	50	2,5	50
ELCOTERM TES 0154/4	89 / 44	34 / 13	210	50	2,6	50



**COLOURS**

Black 

\*\* Free recovered

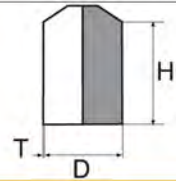
## End Caps

Heat shrinkable cable End Caps in X-Linked Polyolefin with adhesive coating.


Available in any singles or bulk. All made in Italy.



Type	EXPANDED/ Recovered	Expanded	Recovered	Quantity per box (pcs)
	D / d (mm)	H (mm)	T** (mm)	
ELCOCAP M10 12/5	12 / 5	40	1,2	1500
ELCOCAP M10 20/9	20 / 9	55	2,5	1000
ELCOCAP M10 35/15	35 / 15	90	3,0	350
ELCOCAP M10 55/25	55 / 25	100	3,5	100
ELCOCAP M10 75/40	75 / 40	120	3,5	100
ELCOCAP M10 100/45	100 / 45	140	4,0	50
ELCOCAP M10 120/60	120 / 60	150	4,0	50



**COLOURS**

Black 

\*\* Free recovered

## Wrap Around Heatshrink Sleeve

Heat shrinkable wrap around / zip tubing with adhesive coating.

Supplied with slide-on metal channels.

Available in any singles or bulk. All made in Italy.

Dimensions	D min (mm)	d max (mm)	T min** (mm)	Standard length (mm)	Quantity per box (pcs)	D 
50 / 15	50	15	1,5	1000 - 1500	-	<b>COLOURS</b> Black 
75 / 22	75	22	1,5	1000 - 1500	-	
105 / 30	105	30	1,5	1000 - 1500	-	
146 / 38	146	38	1,5	1000 - 1500	-	
188 / 55	188	55	1,5	1000 - 1500	-	

\*\* Free recovered



FEATURES	RESULTS*	STANDARD
Continuous Temperature Range	-40 °C ÷ +125 °C	-
Heat Shock (225°C)	No damage	ASTM D 2671-98
Tensile Strength	≥ 17 MPa	ASTM D 638-98
Elongation	≥ 400%	ASTM D 638-98
Secant Modulus 2%	≥ 160 MPa	ASTM D 882-97
Water Absorption	≤ 0,15%	ISO 62-86
Dielectric Strength	≥ 12 kV / mm	ASTM D 149-97a
Volume Resistivity	1x10 <sup>14</sup> Ω cm	ASTM D 257-98
Fungi Resistance	No growth	ASTM G 21-96
"	"	"

\* Typical results



# Miscellaneous Products

## Cable Cleaning Wipes



Approved up to 440kV, the PF Solvent is regarded as the “Rolls Royce” of cable cleaning solvents.

Available in;

- ⇒ packs of 25
- ⇒ in liquid form
- ⇒ or the more common buckets of 250

## 22kV Phase Clearance Shroud

These Silicone Rubber Insulated Bushing Boots are designed to assist with Phase to Phase clearance issues in confined spaces.

- ◆ Rated 7.22kV to 22kV
- ◆ Cable Range 35mm<sup>2</sup> - 400mm<sup>2</sup>
- ◆ Suit Bushing OD 30mm - 70mm



# Miscellaneous Products

## Cable / Dropper Leads



DT Jointing Solutions provides dropper leads to suit most applications incorporating all manner of termination possibilities.

Each lead is a customised item depending upon the intended equipment and generally varies according to;

- ◇ Eye to Eye length
- ◇ Earth lead length and numbers
- ◇ Connectors / termination type required on each end
- ◇ Desired type of cable

We have a dedicated purpose built lead production area, test 100% leads made and hold significant cable accessories as well as XLPE & EPR cable in house.



**Address: 18 Zakwell Court  
Coolaroo, 3048  
Victoria**

**Postal: PO Box 2304  
Greenvale, 3059  
Victoria**

**Phone: 03 9303 9944**

**Fax: 03 9303 9677**

*The complete cable management systems specialists*

**Cooper  
Power Systems**  
by **EAT•N**

  
**elcon megarad**

  
Cable Accessories